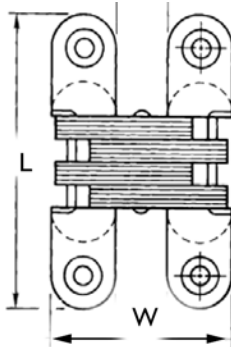




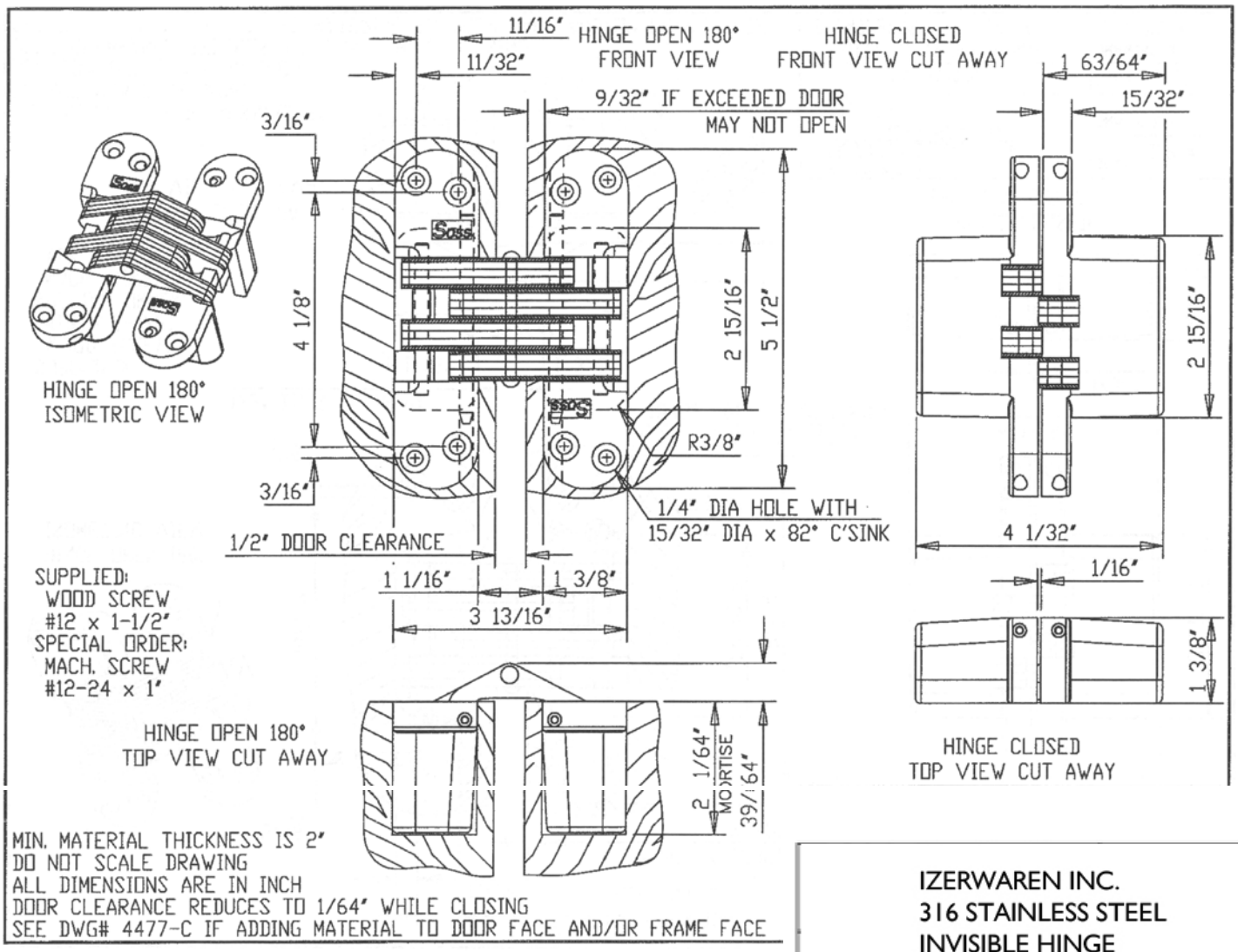
Izerwaren
Order
number

41.220 "SOSS" type invisible hinge

Size hinge:
L: 5 1/2 inch x W: 3 53/64 inch
For full size fire rated doors
Door thickness: min 2 inch.
180 degree opening
Finish: 316 satin stainless steel



#41.220 Invisible Hinge, minimum door thickness of min. 2 inch

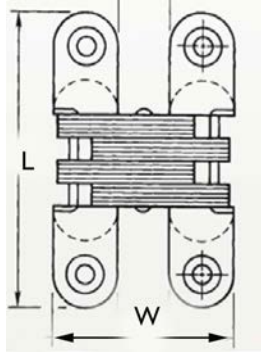




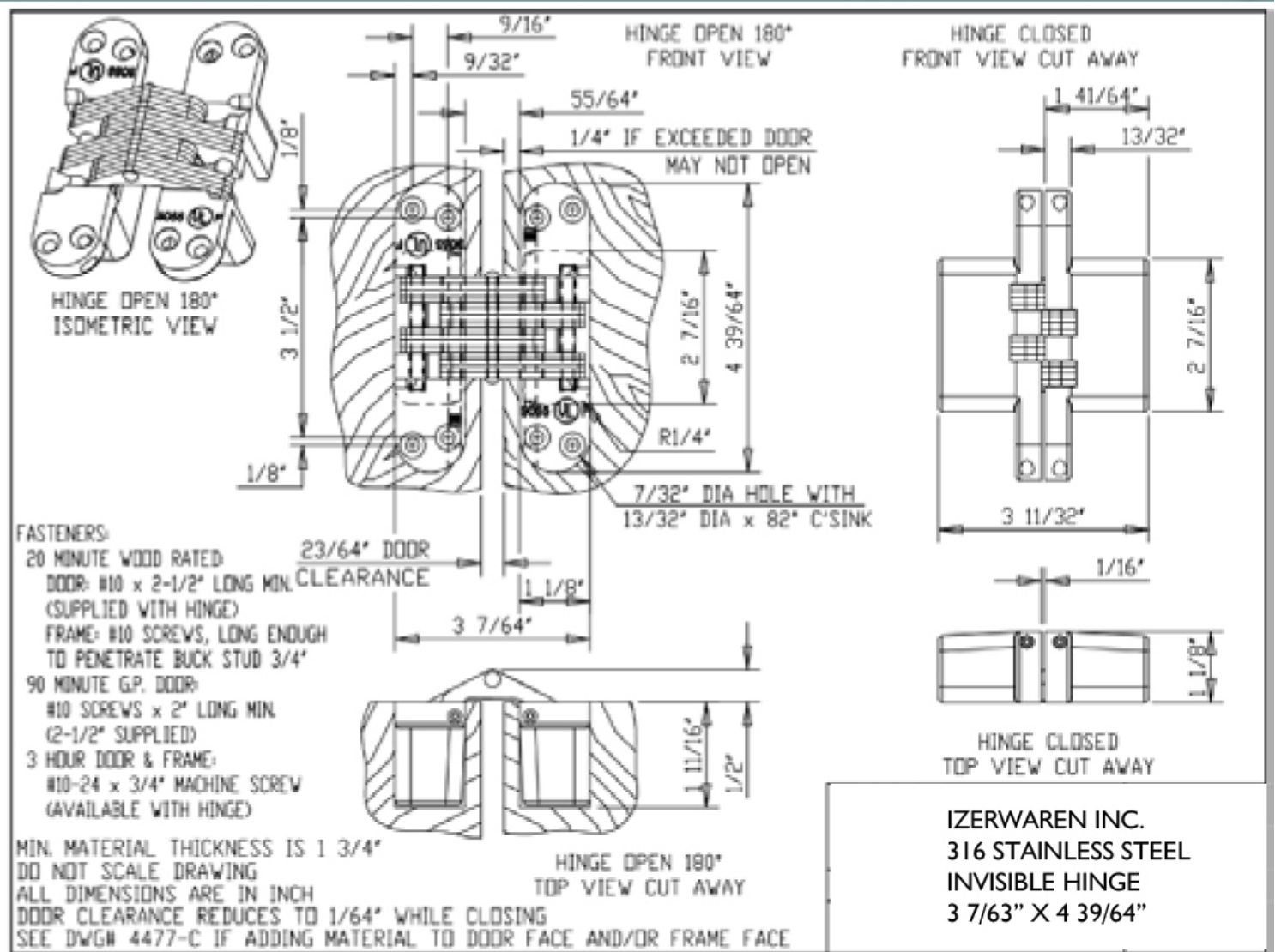
Izerwaren
Order
number

41.418 "SOSS" type invisible hinge

Size hinge:
L: 4 39/64 inch x W: 3 7/64 inch
For full size doors
Door thickness: 2 inch
180 degree opening
Finish: 316 satin stainless steel



#41.418 Invisible Hinge, minimum door thickness 2 inch

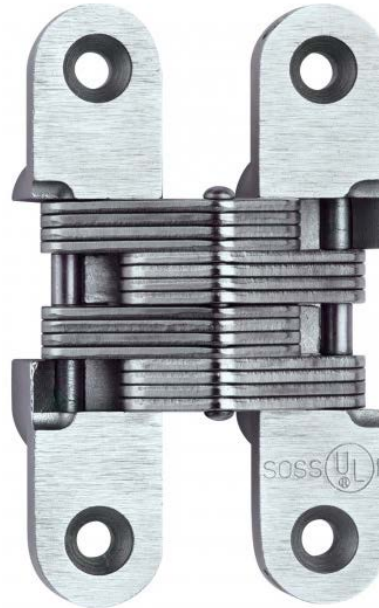
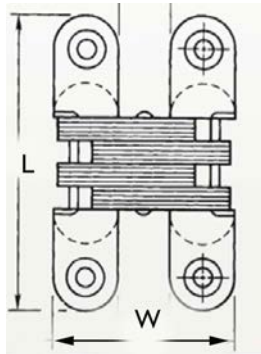




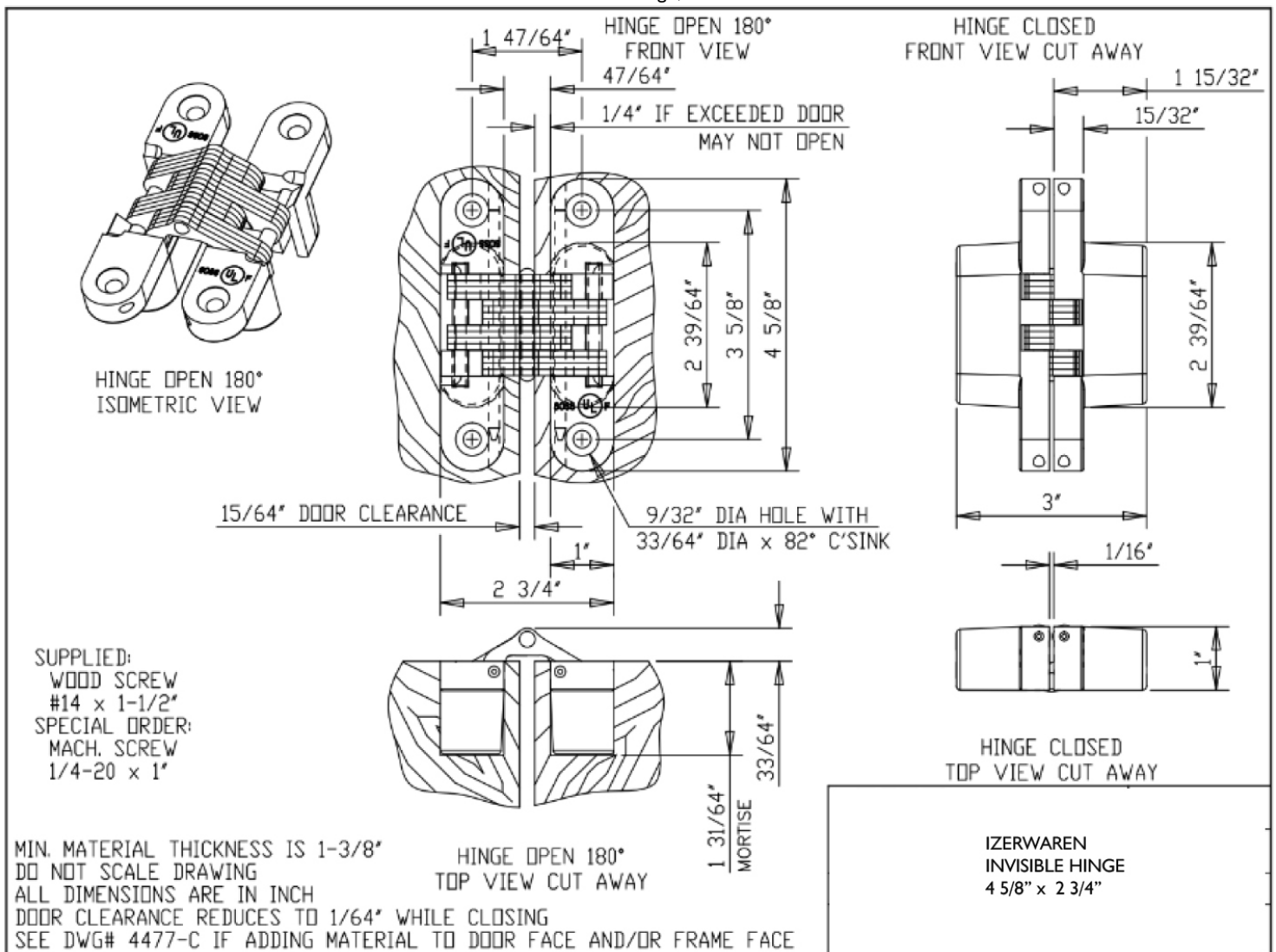
Izerwaren
Order
number

41.417 "SOSS" type invisible hinge

Size hinge:
L: 4 5/8 inch x W: 2 3/4 inch
For full size doors
Door thickness: 1 3/8 inch
180 degree opening
Finish: 316 satin stainless steel



#41.417 Invisible Hinge, minimum door thickness 1 3/8"

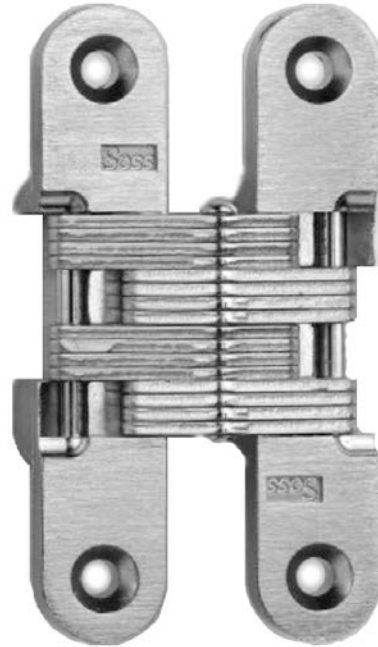
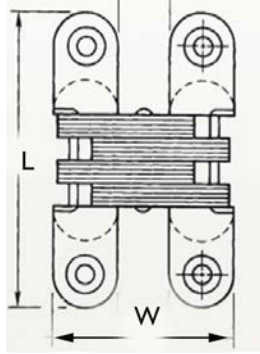




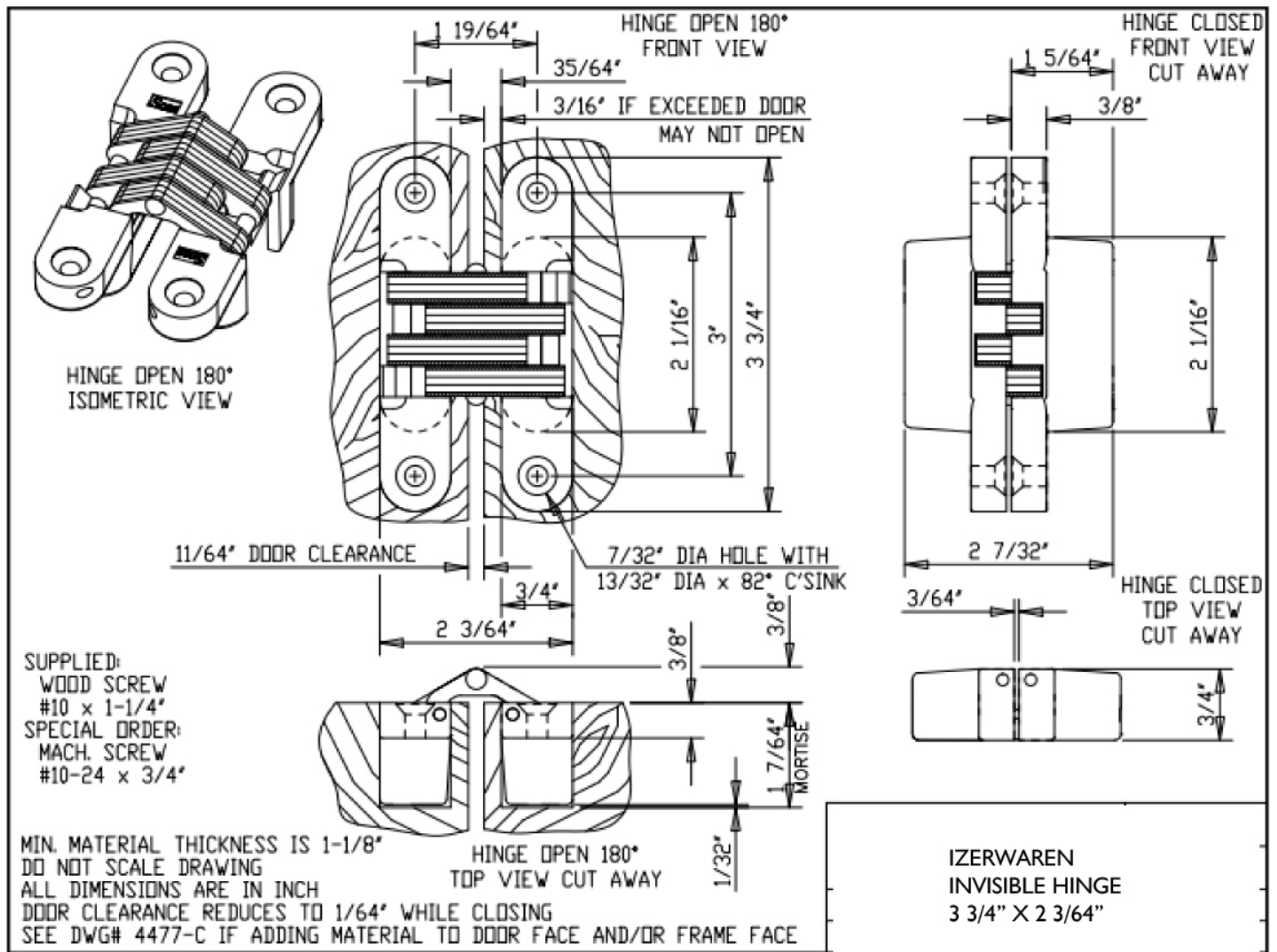
Izerwaren
Order
number

41.221 "SOSS" type invisible hinge

Size hinge:
L: 3 3/4 inch x W: 2 3/64 inch
Door thickness: 1 1/8 inch
180 degree opening
Finish: 316 satin stainless steel



#41.221 Invisible Hinge, minimum door thickness 1 1/8 inch-



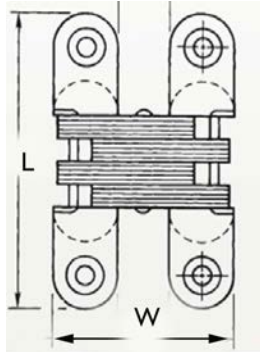


Izerwaren
Order
number
41.208

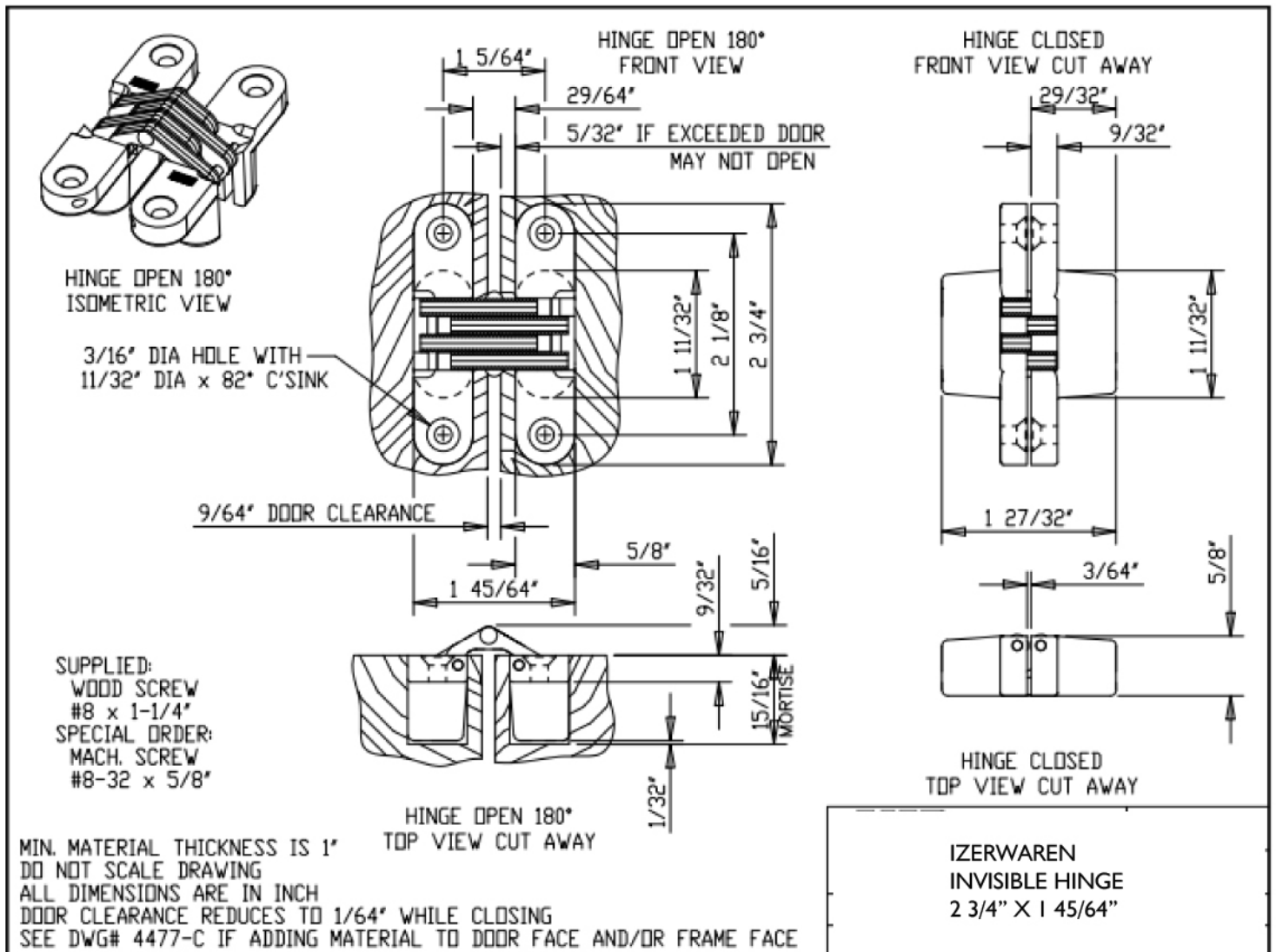
“SOSS” type invisible hinge

Size hinge:
L: 2 3/4 inch x W: 1 45/64 inch

Door thickness: 1 inch
180 degree opening
Finish: 316 satin stainless steel

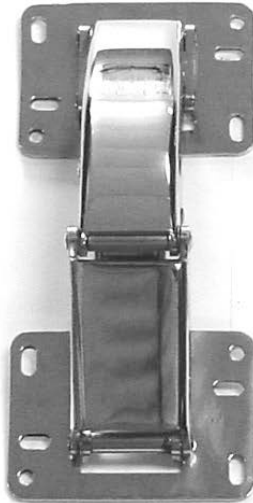


#41.208 Invisible Hinge, minimum door thickness 1 inch

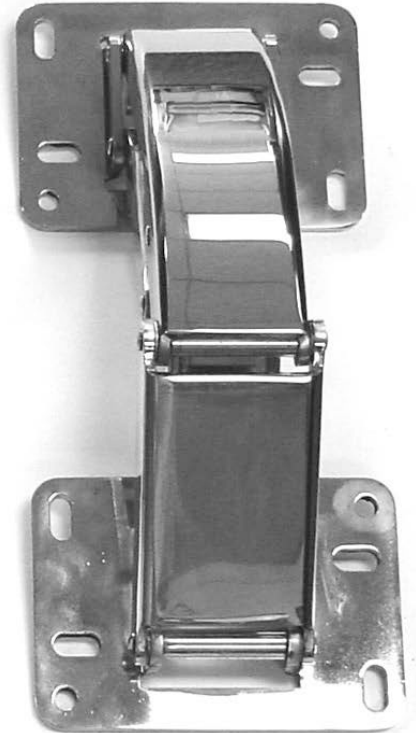




42.7753 Small: Max. load:
12 lb per hinge.



42.8865 Medium: Max. load:
50 lb per hinge.



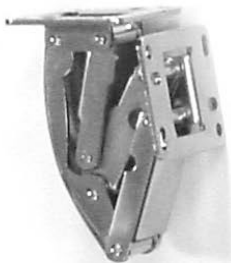
42.7755 Big: Max. load:
75 lb per hinge.

“EASY ON” HINGE FOR HATCHES, BULWARK DOORS AND CABINET DOORS.

* 316 polished stainless steel

* 115 degree opening

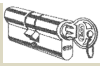
* For inlay and up lay doors



Size 3 x 2 5/8 inch

Size 4 1/4 x 2 1/2 inch

Size 6 7/8 x 3 3/4 inch

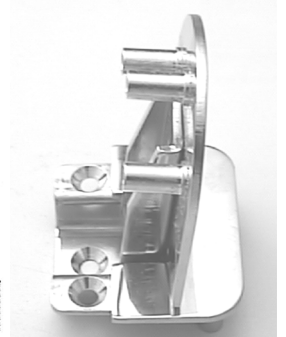
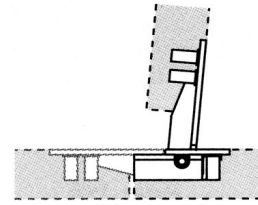
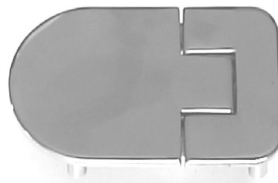
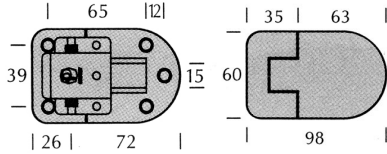


Izerwaren
Order
numbers
42.893

- 316 Stainless steel specialty hinges

**Hatch hinge
Hinge for deck boxes and hatches
with backstop 100 degrees**

Flush mount
Polished 316 stainless steel
No screws showing
Built in depth: 15 mm
Bushes: 15 mm; for M5 machine screws
Overall size: 60 x 98 mm
Material: 3 mm thick

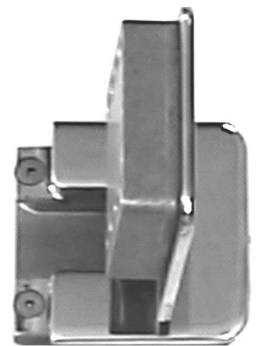
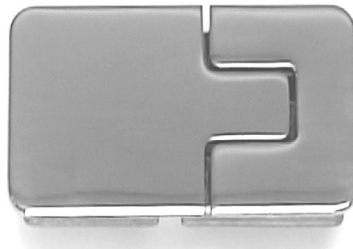


Hatch hinge #42.893 with 100 degree backstop, no screws showing 2 3/8" x 3 7/8"

42.894

**Hatch hinge for hatches
with backstop 100 degrees**

Flush mount
Mirror Polished 316L stainless steel
No screws showing; with cover plates
1/8" material thickness
Built in depth: 5/8"
Overall size: 4 3/8" x 2 5/16"
Please see drawing on page 4-2-0-A
Material: casted 316L stainless steel
covers 1/8" 316 st.st. plate material



Hatch hinge #42.894, "2 x 4" heavy duty, with 100 degree backstop, no screws showing. Size: 4 3/8" x 2 5/16" x 5/8" (sizes and drawing on page 4-2-0-A)

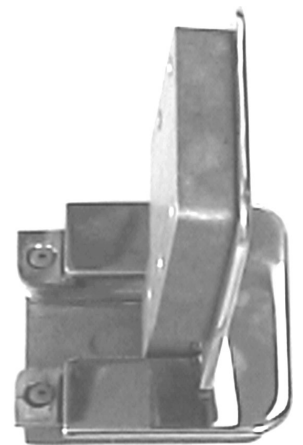
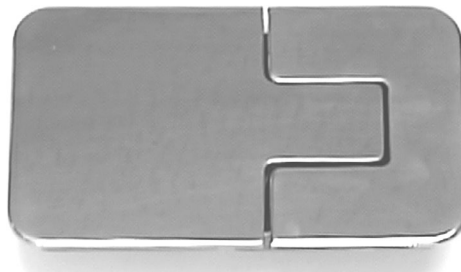


Depicted: Hinge #42.894
and hatch cam lift #43.555;

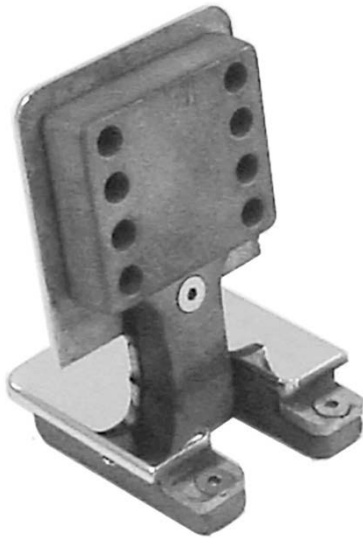
42.895

**Hatch hinge for hatches
with backstop 100 degrees**

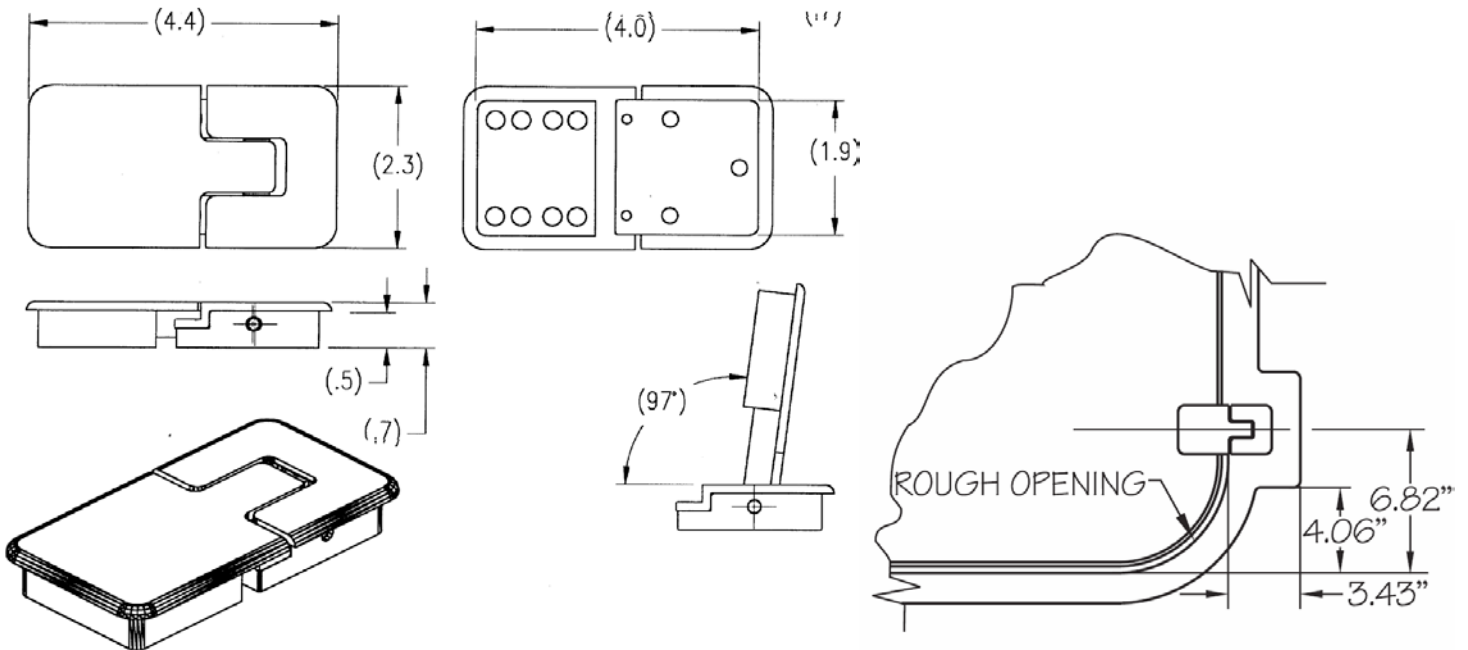
Flush mount
Mirror Polished 316L stainless steel
No screws showing; with cover plates
Built in depth: 5/8"
Overall size: 5 5/8" x 3 1/8"
Please see drawing on page 4-2-0-A
Material: casted 316L stainless steel
covers 1/8" thick



Hatch hinge #42.895, "3 x 6"; heavy duty, with 100 degree backstop, no screws showing. Size: 5 5/8" x 3 1/8" x 5/8" (sizes and drawing on page 4-2-0-A)



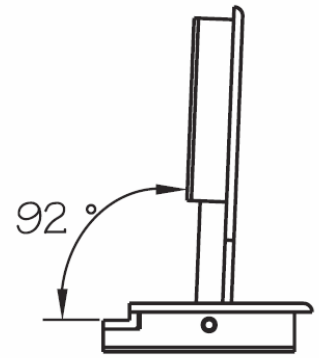
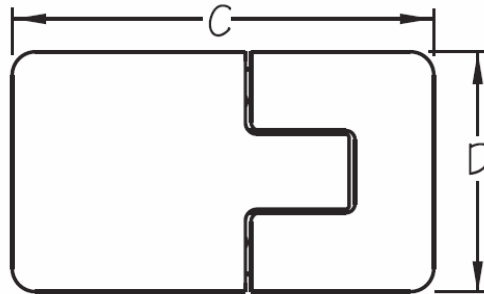
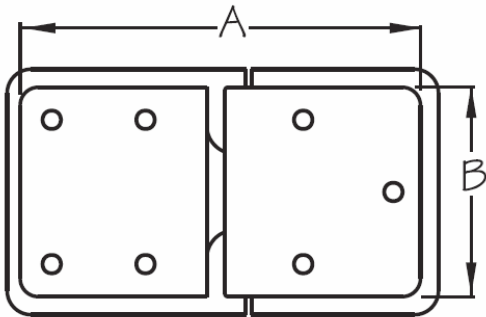
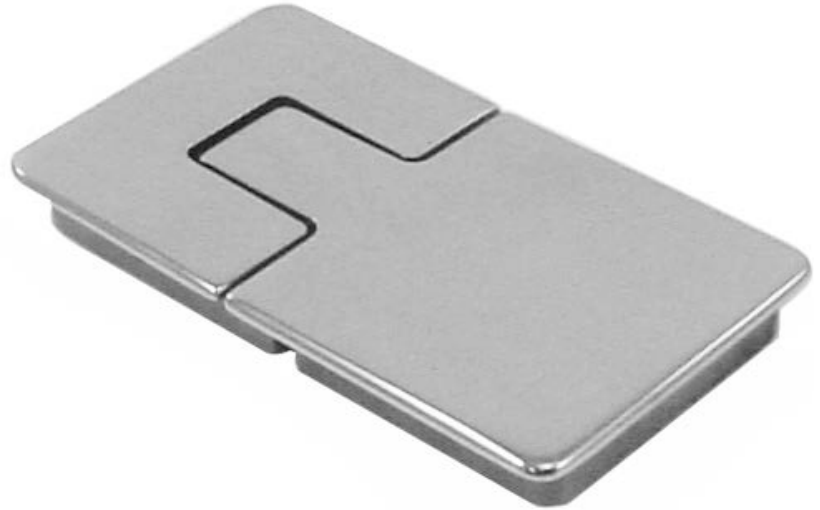
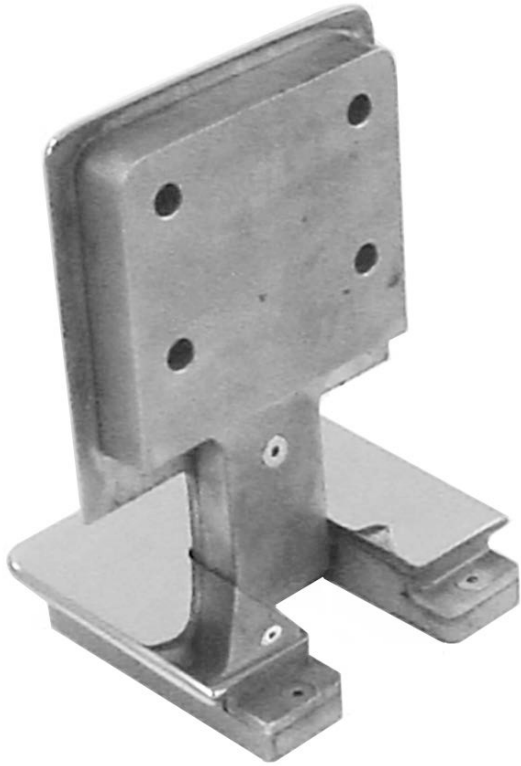
#42.894 Flush Deck Hinge 2"x 4" Opening: 97 degree; 316 stainless steel



#42.894 Flush Deck Hinge; Style: 2"x 4" Opening: 97 degree; 316 stainless steel

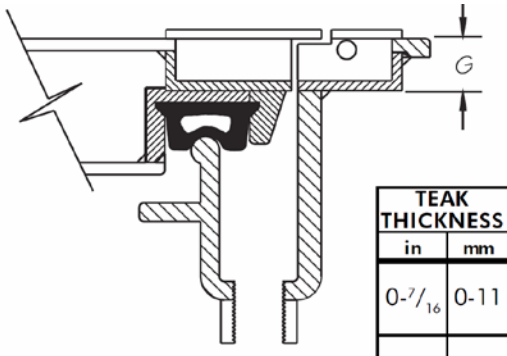


Teak Hatch with Hatch hinges #42.894 and Lift Ring #43.555 (see page 4-3-4-0)

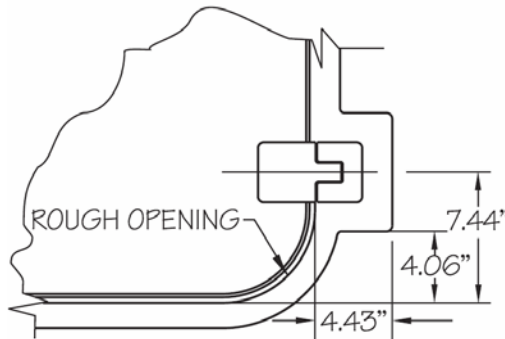


#42.894 hatch hinge; 92 degree opening A= 5.29 inch; B= 2.65 inch C= 5.84 inch D= 3.20 inch

Style 3 x 6



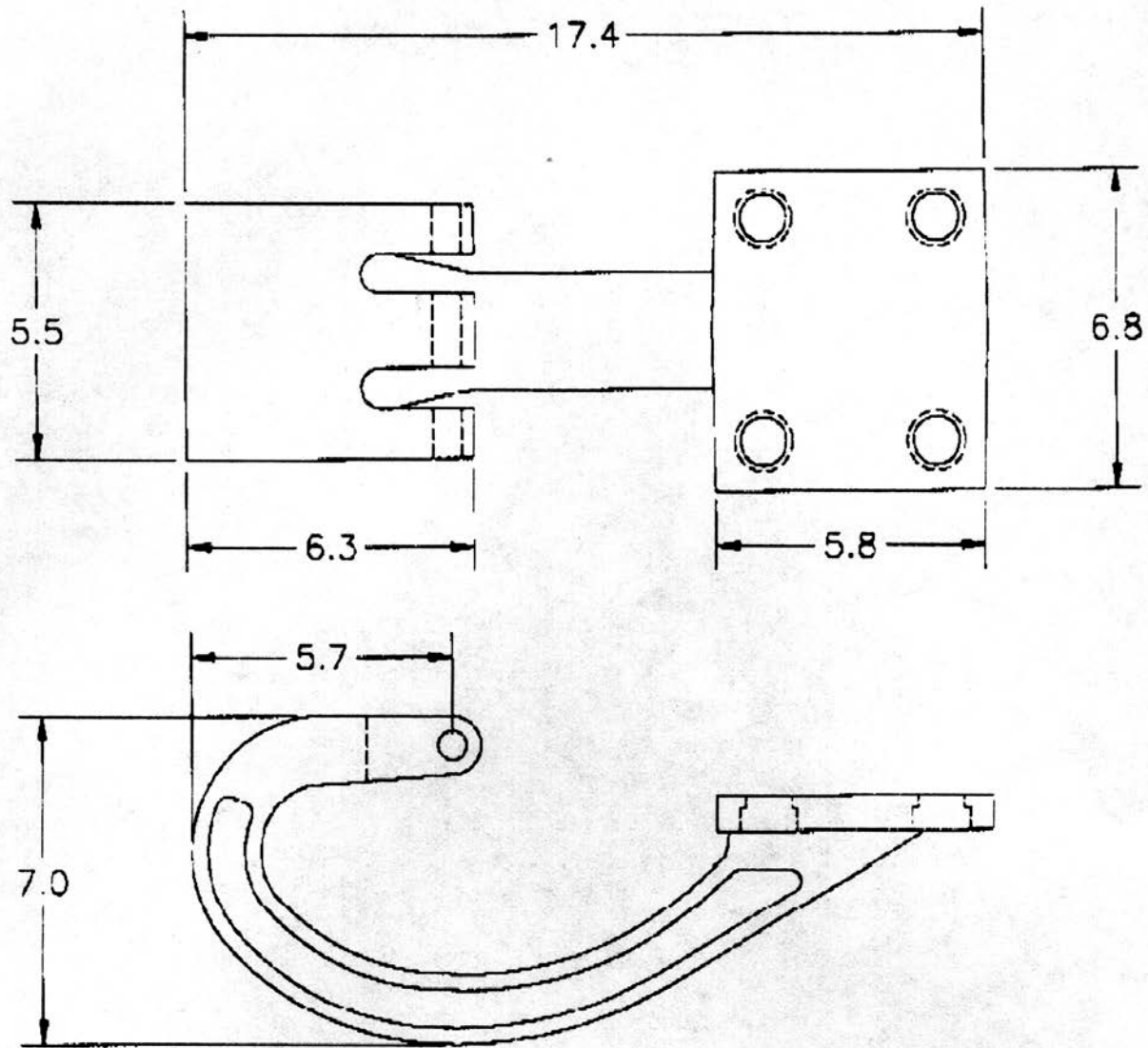
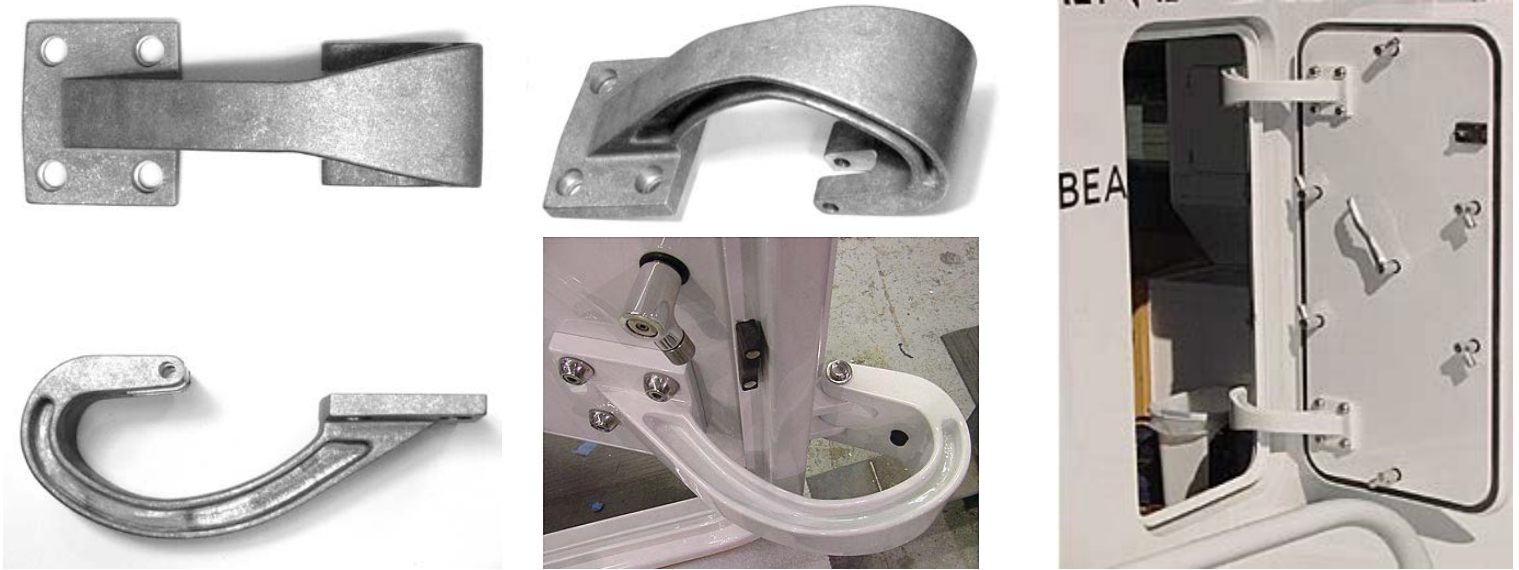
TEAK THICKNESS	
in	mm
0.7/16	0-11



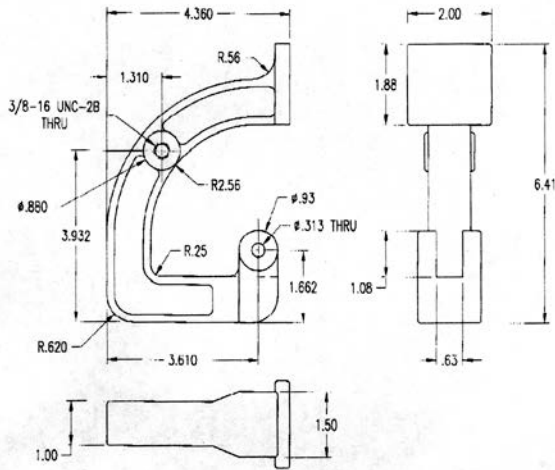
Mounting Suggestions for 3 x 6 style hinge.

Hatch Cam Lock #115.43

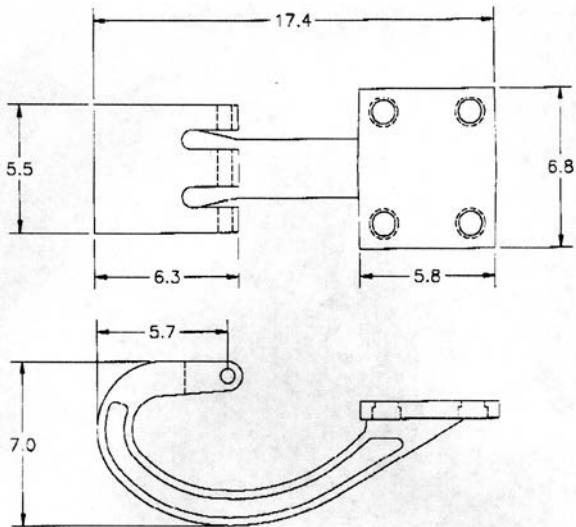
316 stainless steel hinge has loose top plates



C-Hinge Bracket 7"x 17.5" Izerwaren order number #42.524C
Recommended maximum weight limit hatch: 400 lbs. Parts casted aluminum alloy not painted



C hinge bracket 3.5" x 6" Izerwaren order number #42.739C Recommended Max weight hatch: 100 lbs. Parts casted aluminum alloy not painted.



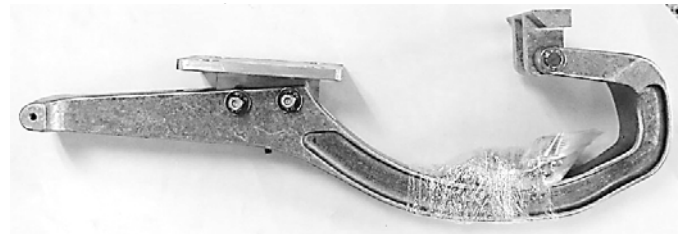
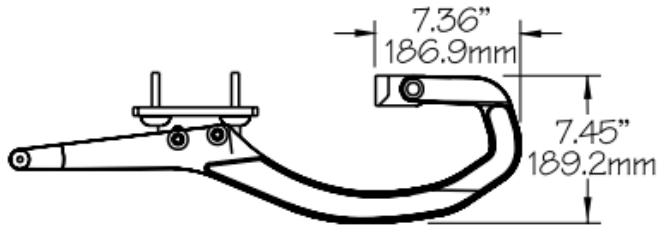
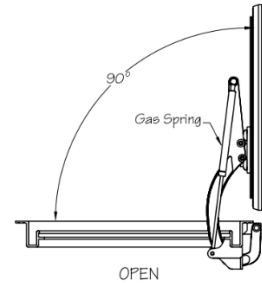
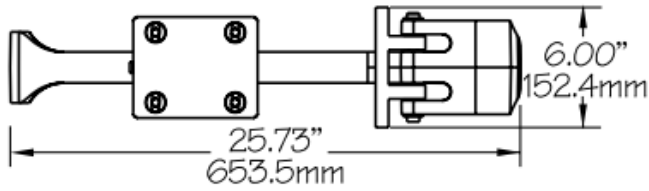
#42.524C - C-Hinge Bracket 7"x 17.5" Max weight hatch: 300 lbs. Parts casted aluminum alloy not painted.



Sample applications hinge #42.524C

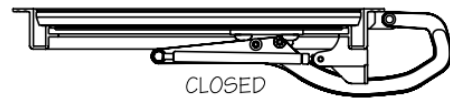
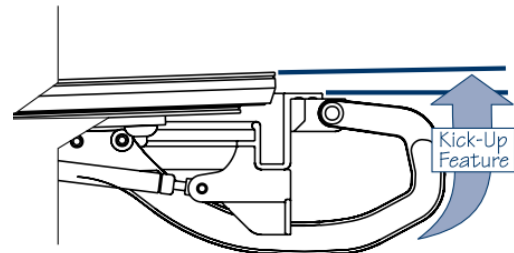
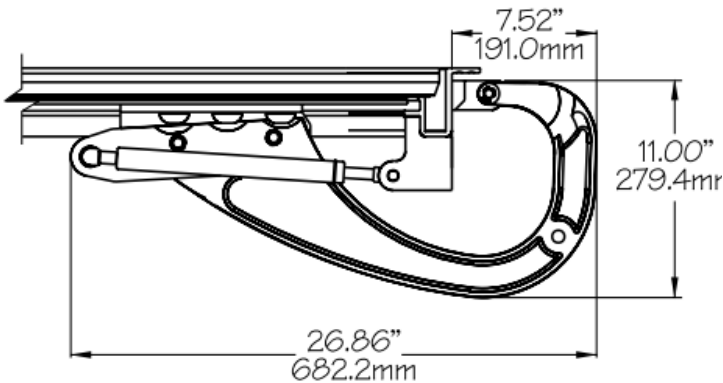


Yoke Hinges with Gas Spring Set Up
Kick-up with gas springs on the coaming



Yoke Hinge, Small, Pivoting.
Part No.: 42.2129

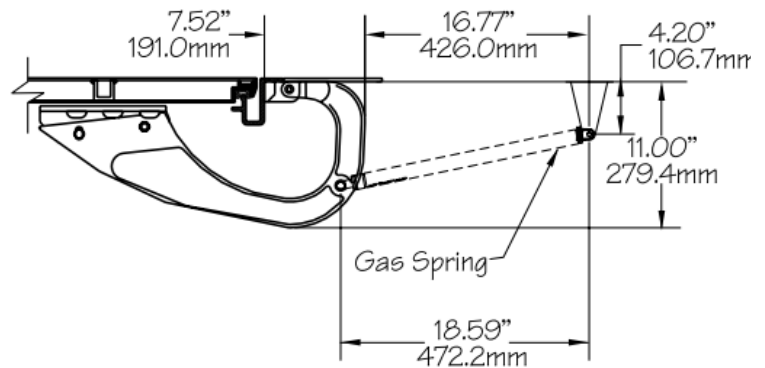
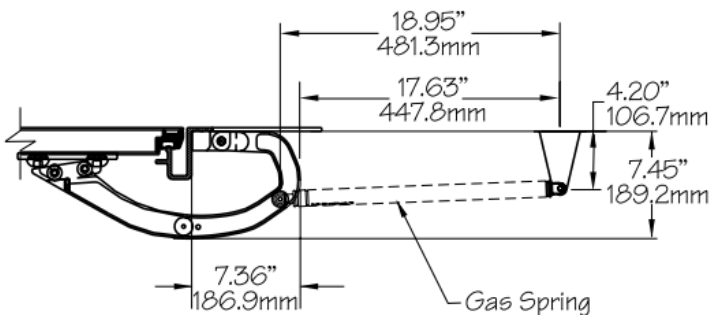
Part No.: 42.2129



Yoke Hinge, Big, Pivoting.
Part No.: 42.2130

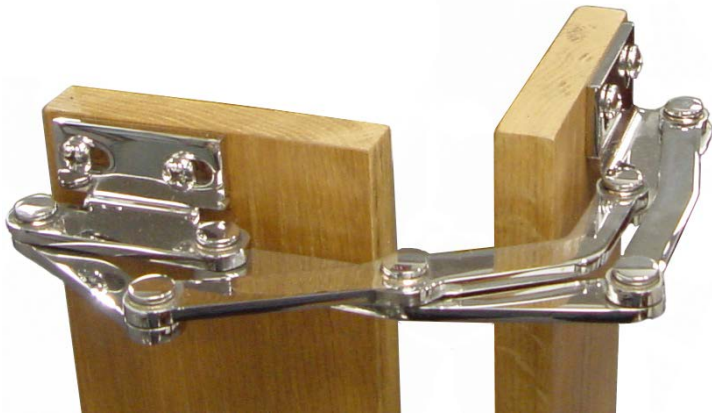
Sample of kick-up function shown above

Yoke Hinge with Gas Spring Behind the Hinge



Yoke Hinge, small, pivoting.
Part No.: 42.2129
Gas spring #64.440 -- 14-23-400 series with short eyes

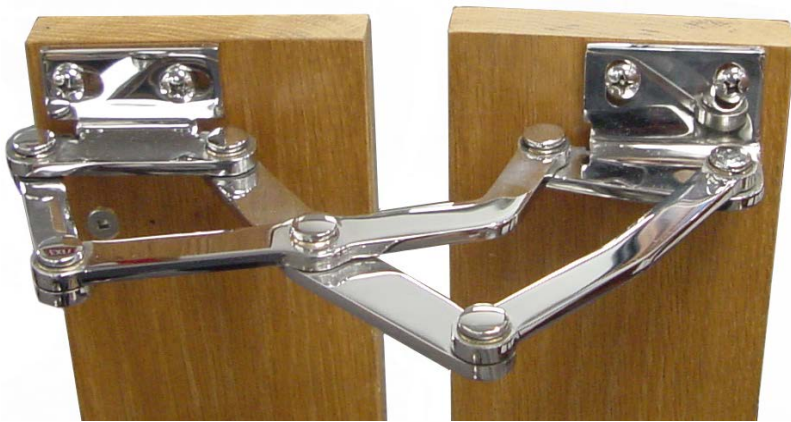
Yoke Hinge, Big, Pivoting.
Part No.: 42.2130
Gas spring #61.440 -- 14-23-400 series with short eyes



#44.7237LI; Left; 180 degrees Open Position Polished Stainless Steel
BRONZE BEARINGS



#44.7237LI; Left; Closed Position Polished Stainless Steel
BRONZE BEARINGS



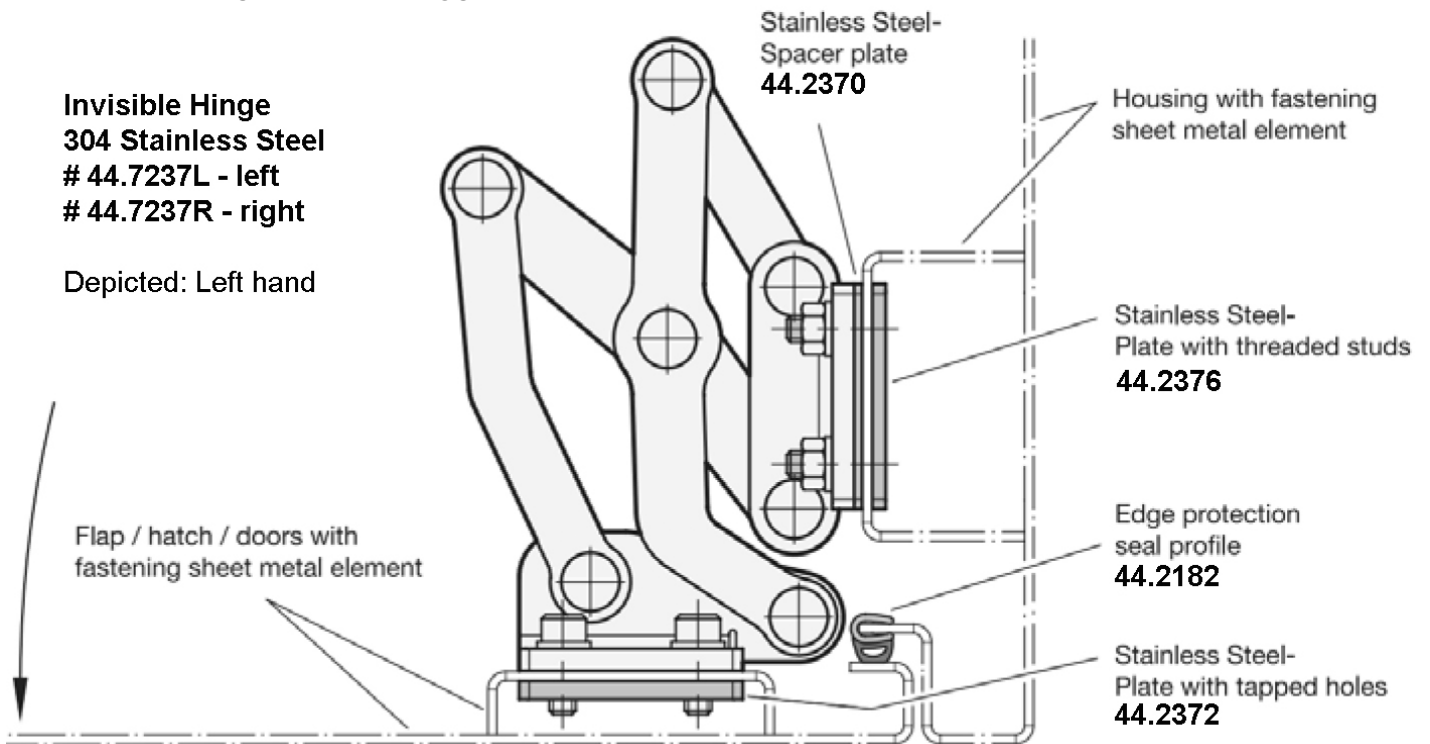
#44.7237LI; Left; Open 90 degrees Polished Stainless Steel
BRONZE BEARINGS



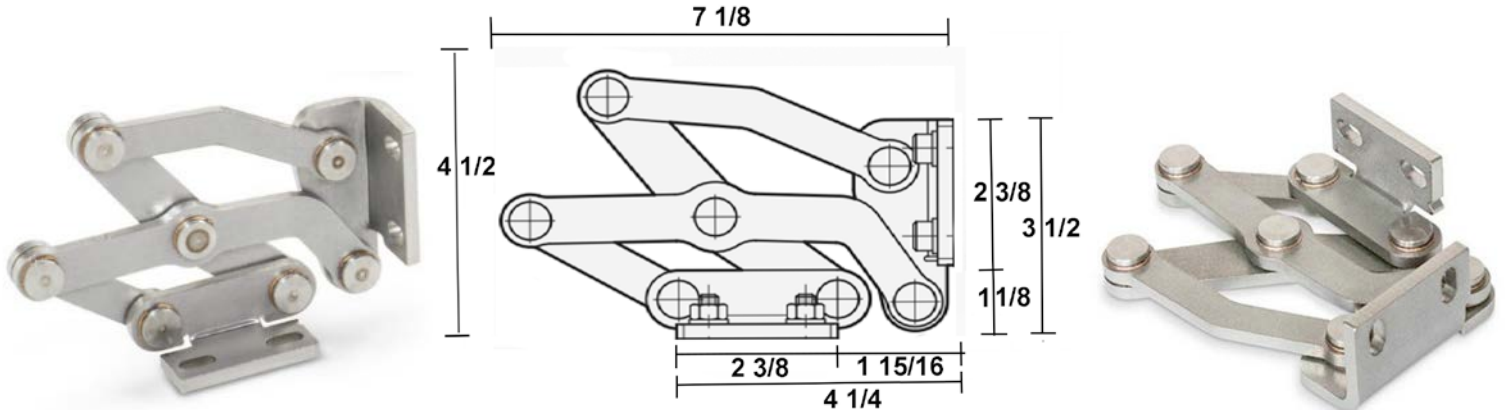
#44.7237L; Left hand; Tumbled Stainless Steel finish

Invisible Hinge
304 Stainless Steel
44.7237L - left
44.7237R - right

Depicted: Left hand



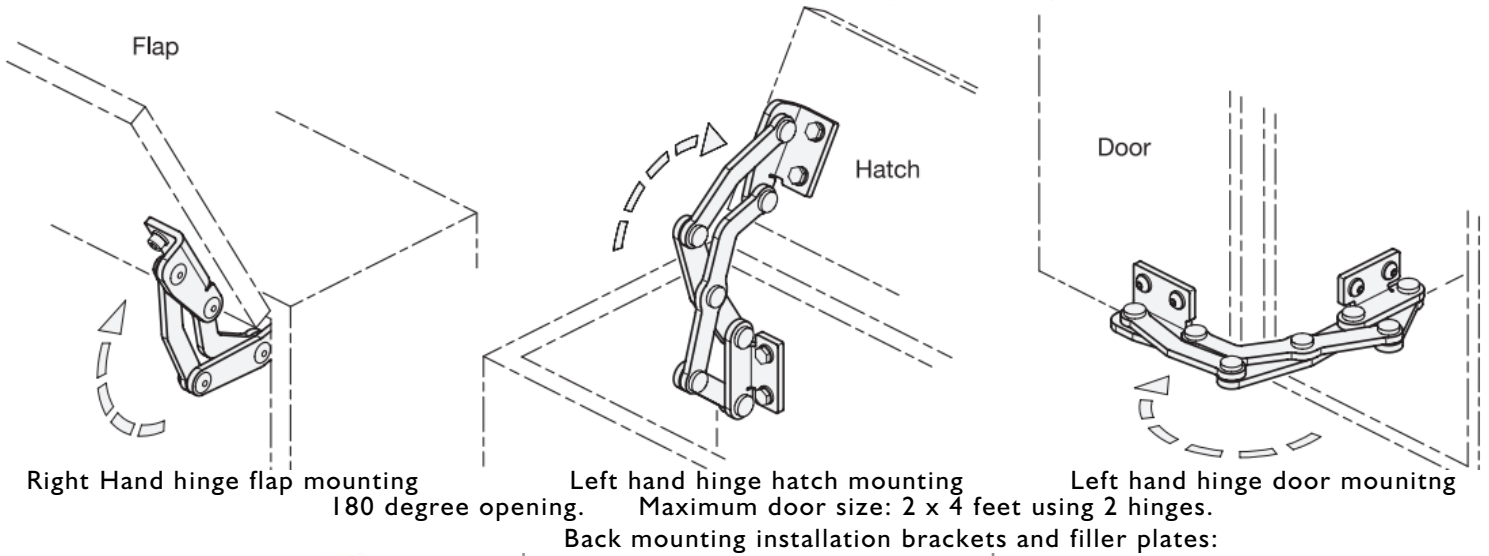
BRONZE BEARINGS, 304 tumbled stainless steel



#44.7237L Left Invisible Hinge
#44.7237R Right

Picture showing Left Hand 304 stainless steel 180 degree opening
BRONZE BEARINGS For door weights up to 50 lbs. using 2 hinges
Mounting Plates Footprint: 2 3/8 inch x 1 inch

Size: 4 1/2 x 7 1/8 inch.



Right Hand hinge flap mounting
180 degree opening.

Left hand hinge hatch mounting
Maximum door size: 2 x 4 feet using 2 hinges.
Back mounting installation brackets and filler plates:

Left hand hinge door mounting



#44.2376 Plate with threaded studs

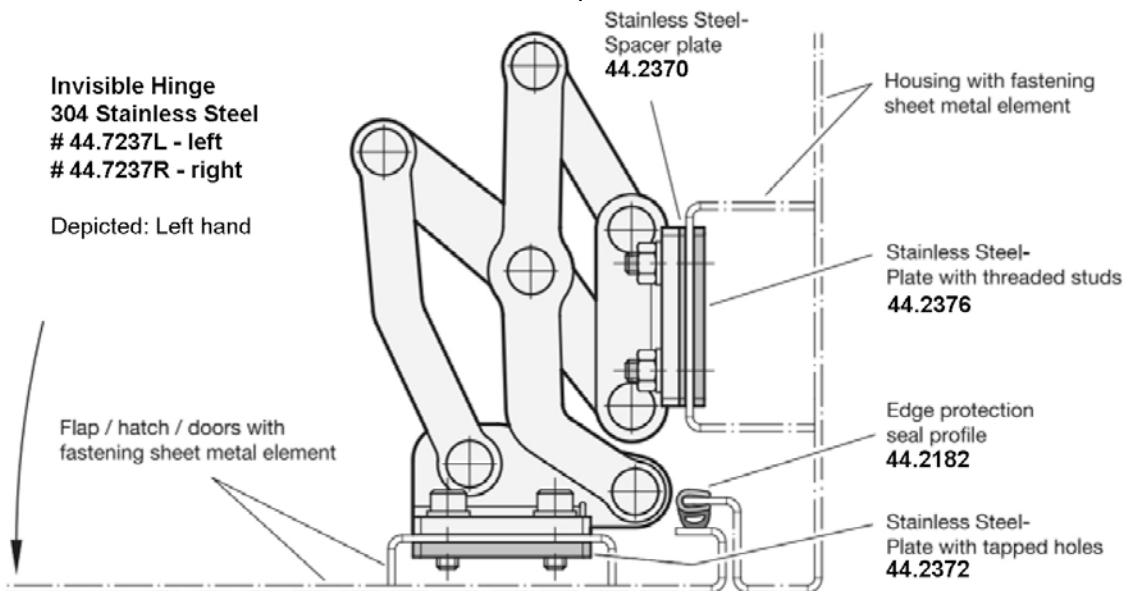


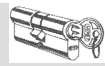
#44.2370 Spacer Plate



#44.2372 Threaded Plate for back mounting

Invisible Hinge
304 Stainless Steel
44.7237L - left
44.7237R - right
Depicted: Left hand





Izerwaren
Order
numbers

- Heavy duty
- Sea water resistant

STAINLESS STEEL Heavy Duty Hinges for Exterior and Weather Door Applications

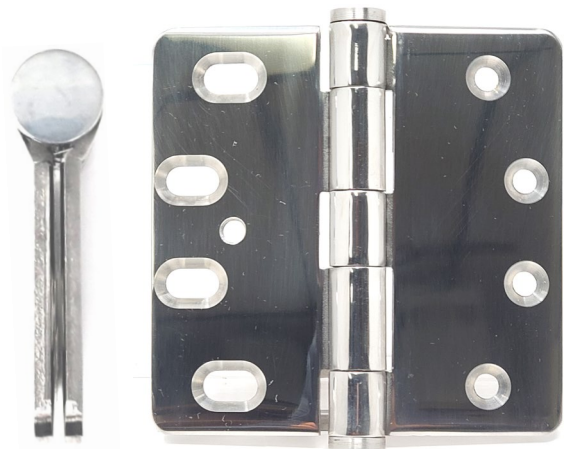
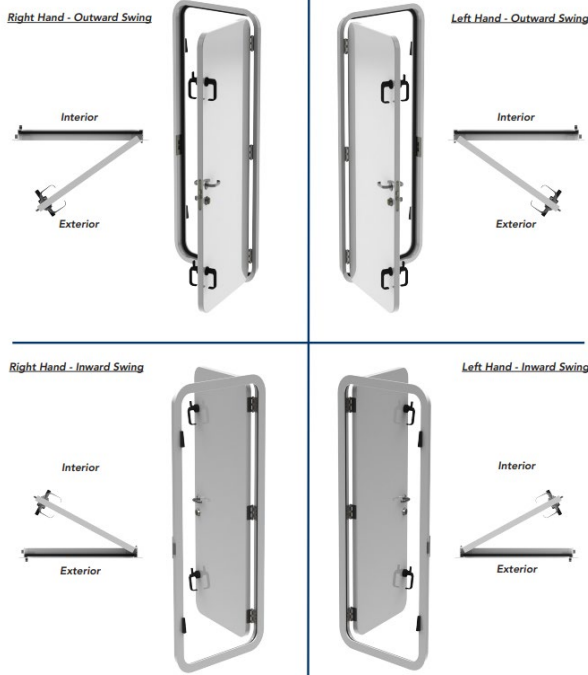
42.4613 **4" x 4"**
Left Hand (LHR)
304 stainless steel heavy duty hinge
4 x 4 x (1/8") inch. Removable Pin.
Spacing: 5/16" when folded
Barrel: 9/16" diameter

42.4614 **4" x 4"**
Right Hand (RHR)
304 stainless steel heavy duty hinge
4 x 4 x (1/8") inch. Removable Pin.
Spacing: 5/16" when folded
Barrel: 9/16" diameter

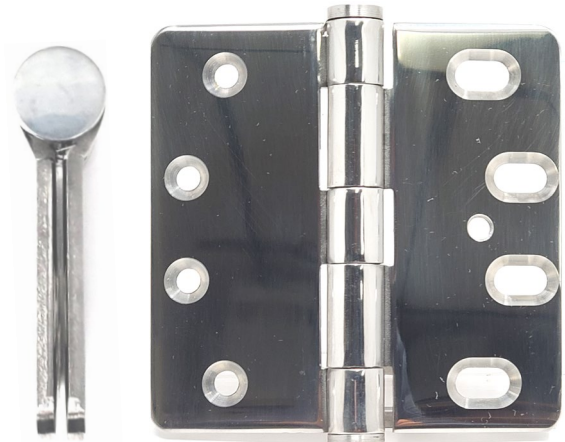
42.4611 **100 x 100 mm** Left Hand (LHR)
304 stainless steel heavy duty hinge
100 x 100 x 3.2 mm. Removable Pin.
Distance blades: 8 mm when folded
Barrel: 14 mm diameter

42.4612 **100 x 100 mm** Right Hand (RHR)
304 stainless steel heavy duty hinge
100 x 100 x 3.2 mm. Removable Pin.
Distance blades: 8 mm when folded
Barrel: 14 mm diameter

HANDING GUIDE - HINGED DOORS



#42.4614; Right Hand (RHR)
304 Polished Stainless Steel Heavy Duty Hinge
4 x 4 x 1/8 inch. Removable Pin.
Spacing: 5/16" When Folded
Barrel 9/16" diameter



#42.4613; Left Hand (LHR)
304 Polished Stainless Steel Heavy Duty Hinge
4 x 4 x 1/8 inch. Removable Pin.
Spacing: 5/16" When Folded
Barrel 9/16" diameter



10-24 by 1/2 inch square head machine screw



#424611 Metric LHR #42.4612 Metric RHR
Size: 100 x 100 x 3.2mm. Distance when folded 8 mm
Barrel: 14 mm diameter
304 Polished Stainless Steel Heavy Duty Hinge



Izerwaren
Order
numbers

- 316 Stainless steel hatch fasteners, flush type with separate key
- sea water resistant - leak proof
- finish: rolled 316 stainless steel

Installation: Drill hole: 22.5 mm Ø / 7/8"
Back set to center hole: 30 mm - 1 3/16"

Ordering Parts Separate:

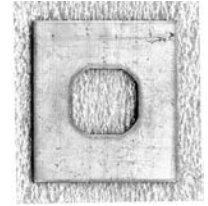
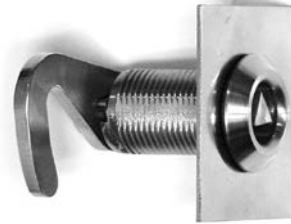
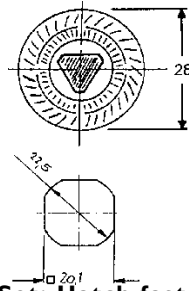
- 43.183 **Key**, stainless steel, triangular 8 mm
- 43.180 **Key** zamac, triangular, 8 mm
- 43.118 **Housing: 18 mm + mounting plate**
- 43.130 **Housing: 36 mm + mounting plate**
- 43.150 **Housing: 50 mm + mounting plate**
- 43.280 **Housing: 80 mm + mounting plate**
- 43.112 **Cam no. 1** inward, 12 mm
- 43.100 **Cam no. 2** neutral
- 43.104 **Cam no. 3** outward, 4 mm
- 43.110 **Cam no. 4** outward, 10 mm
- 43.227 **Hook cam (flat)** stainless steel
distance hook to bolt: 25 mm
- 43.295 **Mounting plate** 50 x45 x 1.2 mm
stainless steel

Hatch fastener sets complete:

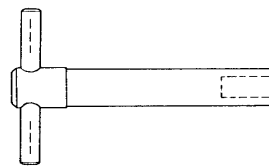
Set: 1x housing, 1x mounting plate, 1x cam
Keys to be ordered separately

To order sets with clearance:

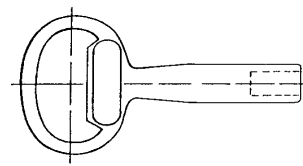
- 43.206 **6 mm - 1/4"** (18 mm body)
- 43.218 **18 mm - 3/4"** (18 mm body)
- 43.222 **22 mm 7/8"** (18 mm body)
- 43.228 **28 mm 1 1/8"** (18 mm body)
- 43.224 **24 mm - 1"** (36 mm body)
- 43.236 **36 mm 1 3/8"** (36 mm body)
- 43.240 **40 mm 1 13/16"** (36 mm body)
- 43.246 **46 mm 1 3/4"** (36 mm body)
- 43.238 **38 mm 1 1/2"** (50 mm body)
- 43.250 **50 mm 2"** (50 mm body)
- 43.254 **54 mm 2 1/8"** (50 mm body)
- 43.260 **60 mm 2 3/8"** (50 mm body)
- 43.268 **2 11/16" - 68 mm** (3 1/8" size body)
- 43.281 **3 1/8" - 80 mm** (3 1/8" size body)
- 43.284 **3 1/4" - 84 mm** (3 1/8" size body)
- 43.290 **3 1/2" - 90 mm** (3 1/8" size body)



Set: Hatch fastener with mounting plate and cam #43.295 Mounting plate



#43.183 Key stainless steel

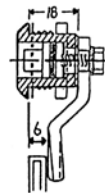


#43.180 Key zamac

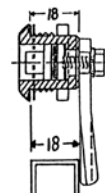


#43.227 Hook cam

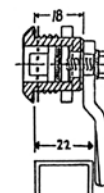
Stainless steel hatch fasteners are now shipped as set with square mounting plate



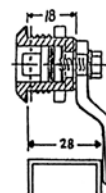
#43.206



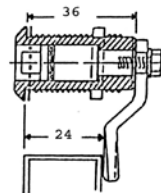
#43.218



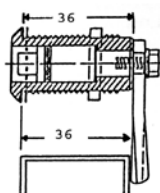
#43.222



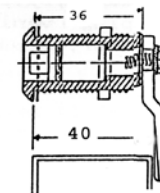
#43.228



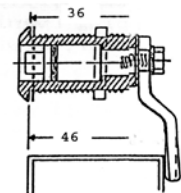
#43.224



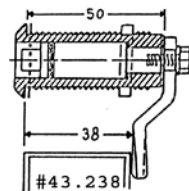
#43.236



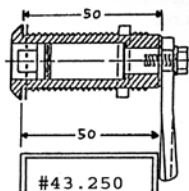
#43.240



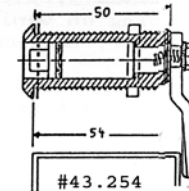
#43.246



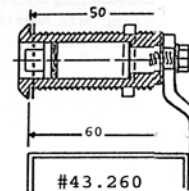
#43.238



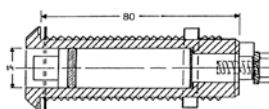
#43.250



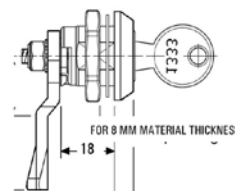
#43.254



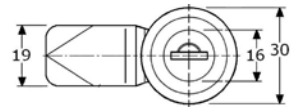
#43.260



#43.280; 80 mm (3 1/8")



#43.687K Key operated; Order cam separate.



#43.687K Key operated

- 43.687K **Hatch fastener, key operated**
(18 mm body)
See also page no 4-3-A-B

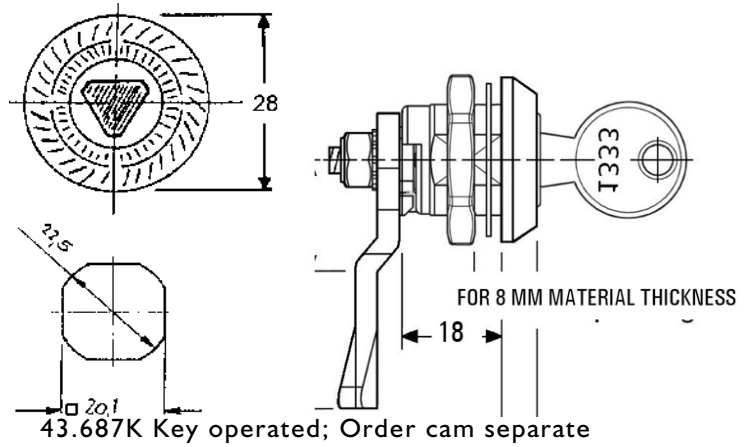


IZERWAREN
Order
number

43.687K **Hatch cam with key** 316 stainless steel
finish: satin polished
outside diameter body: 28 mm
cut out: 22.5 mm
cam: long 1 3/4"
cam depth: adjustable 3/4"
depending on type of cam. (See below)

43.999 **Strike plate #43.999**
110 x 40 mm

43.998 **Strike plate flush** 43.998
64 x 18 mm
316 Stainless steel



43.687K Key operated; Order cam separate

Cams:



#43.112



-12 mm ~ 1/2"



#43.100



neutral



#43.104



+ 4 mm ~ 1/4"



#43.110



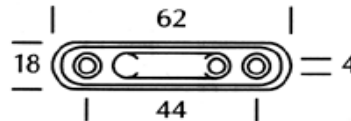
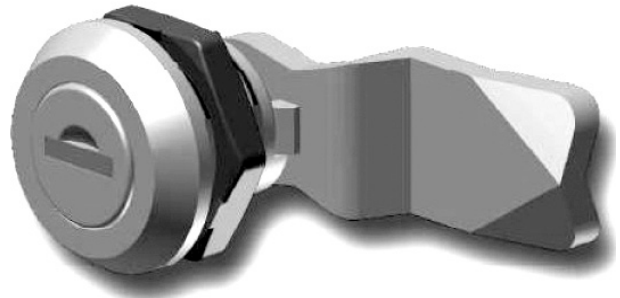
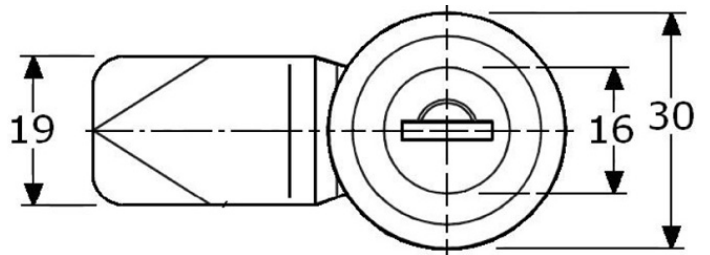
+10 mm ~ 3/8"



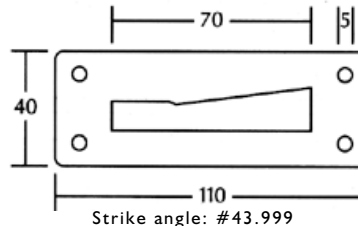
#43.227



25 mm ~ 1"



Strike plate flush #43.998



Strike angle: #43.999

For other cam locks see website / catalog / deck hardware / 316 stainless steel hatch fasteners / Pages 4-3-0-0 a. f.



Izerwaren
Order
numbers

- 316 Stainless steel hatch fasteners, can be used with stainless steel levers
- Hatch fasteners are:
- sea water resistant
- leak proof
- finish: body and cam: mill finish
Levers: mirror polished



For ordering hatch fastener bodies and cams:
See page 4-3 and 4-3-0



Shown: 36 mm body with 8x8 mm spindle; ... with stainless steel knob #12.050; 50 mm Ø



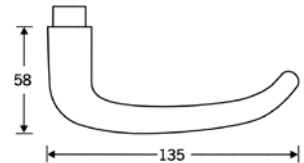
Shown: 36 mm body with lever #12.53F; ... lever 143 x 25 mm

- 12.050 Knob lever; 50 mm diameter
- 12.53F Lever Semi Flush; 143 mm long
Extends: 25 mm from surface
- 14.410 Lever Sable; 105 mm long
Extends: 35 mm from surface
- 12.527 Lever Standard; 130 mm long
- 12.045 Lever U shape; 140 mm long
- 12.5SF Lever Semi Flush Short ; 95 mm long
Extends: 25 mm from surface



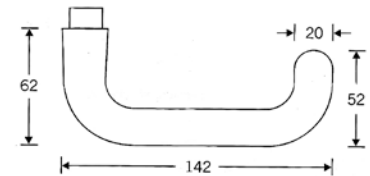
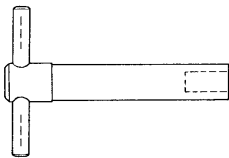
Shown: 36 mm body with lever #14.410; ... Lever stainless steel. Size 105 x 30 mm

- 43.261 Hatch fastener with attached small bar.

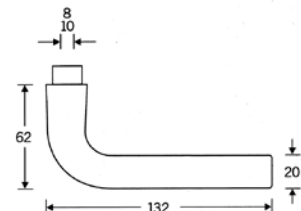


Lever # 12.527; 135 mm long; stands off 58 mm

- 43.183 Separate key, stainless steel
See: page 4-3



Lever #12.045; 142 mm long; stands off 54 mm; 20 mm diameter



Lever #12.547; 132 mm long; stands off 64 mm; 20 mm diameter

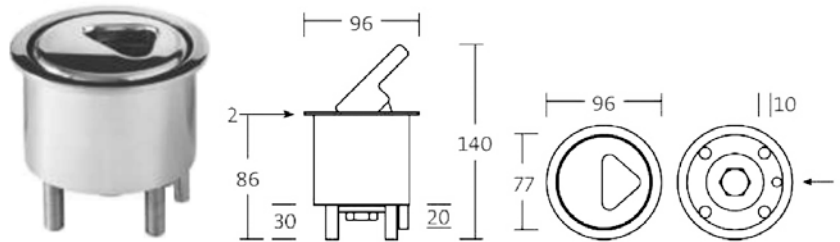


Lever #12.5SF; 95 mm long; stands off 25 mm with standard plate; 20 mm wide

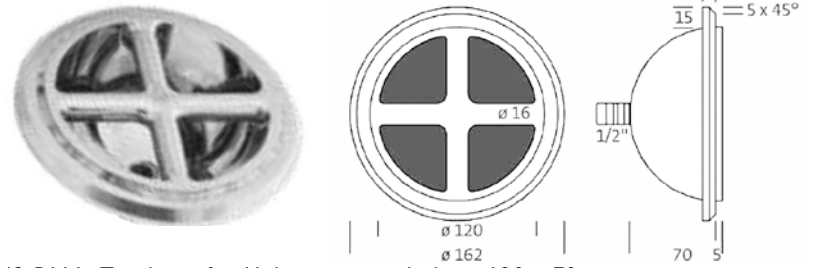


316 STAINLESS STEEL DECK BOLTS AND TIE DOWNS

- 43.PI10 **Tie Down for Equipment**
Tie down for helicopters;
box with drain 90 x 86 mm
316 stainless steel mirror polished
- 43.PI11 **Tie Down for Equipment**
Tie down for helicopters;
box with drain 120 x 70 mm;
316 stainless steel mirror polished
- 43.PI14 **Deck Plates for Eye Bolt M20**
Plate 218 x 100 mm ~ 8 5/8" x 4"
Deck plate for use with M16 machine screw
Mirror polished 316 stainless steel
- 43.PI15 **Deck Plates for Eye bolt M16**
Plate 140 x 74 mm ~ 5 1/2" x 3"
Deck plate for use with M12 machine screw
Mirror polished 316 stainless steel
- 32.PI16 **Deck Plates with thread M12**
Plate 100 x 56 mm ~ 3" x 2 3/16"
Deck plate for use with M10 machine screw
Mirror polished 316 stainless steel



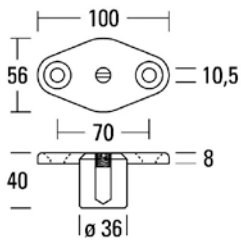
43.PI10 Tie down for helicopters; box with drain 90 x 86 mm;



43.PI11 Tie down for Helicopters with drain 120 x 70 mm



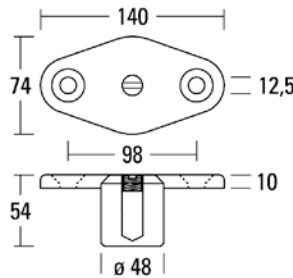
Deck Plates with thread M12



#43.PI14: 218 x 100 x 40 mm



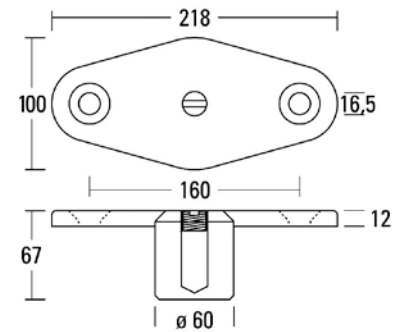
Deck Plates with thread M16



#43.PI15: 140 x 74 x 54 mm

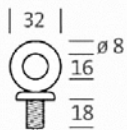


Deck Plates with thread M20

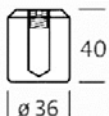


#43.PI16: 100 x 56 x 67 mm

Eye Bolt M12

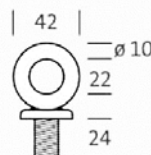


#43.PI41
Bushing M12

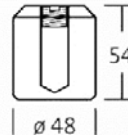


M12
#43.PI46

Eye Bolt M16

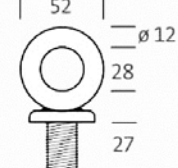


#43.PI42
Bushing M16

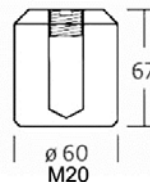


M16
#43.PI47

Eye Bolt M20



#43.PI43
Bushing M20



#43.PI48





Izerwaren
Order
numbers

- 316 Stainless steel hatch fastener
- Sea water resistant
- Heavy duty and compact
- Finish: polished stainless steel 316;



43.P318

43.P318 Tie down with plate 50 mm

43.P312 Tie down with plate 88 x 58 mm

43.P314 Tie down with plate 115 x 78 mm

43.P316 Tie down with plate 145 x 98 mm

43.P313 Tie down with plate 136 x 58 mm

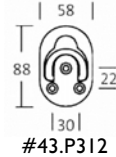
43.P315 Tie down with plate 178 x 78 mm

43.P317 Tie down with plate 225 x 98 mm

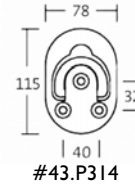
316 STAINLESS STEEL TIE DOWNS



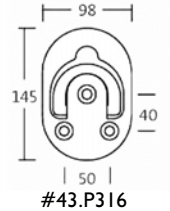
3 SIZES 2 DESIGNS
From 1,000 lbs to 4,000 lbs work load.



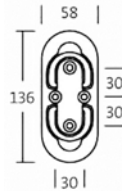
#43.P312



#43.P314



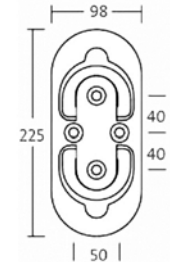
#43.P316



#43.P313



#43.P315

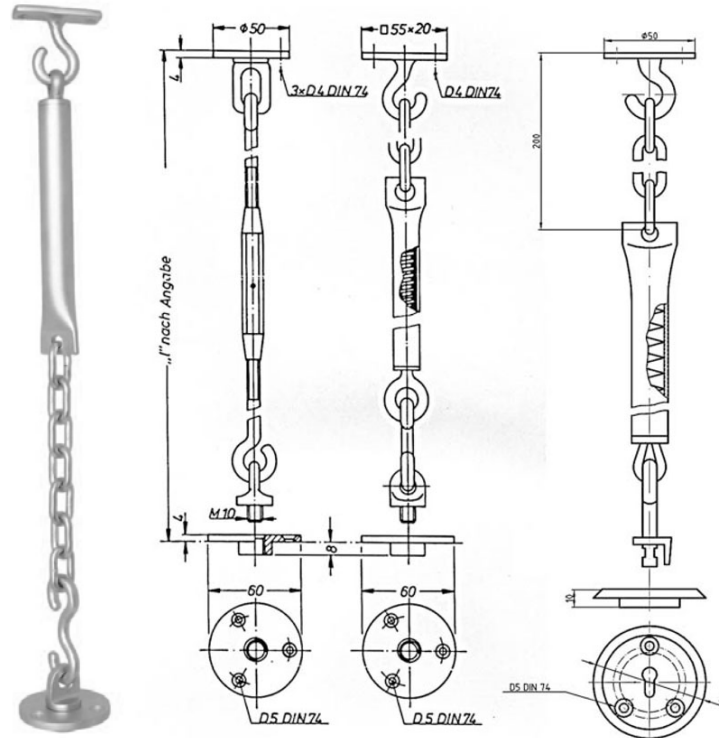


#43.P317

TIE DOWNS FOR CHAIRS



Tie-down #43.556;
4" diameter Cut out 3"
Force rating: up to 500 LBS.
316 polished stainless steel



#43.4610

#43.4620

#43.4635

Spring loaded tie downs for chairs, Finish: Satin or Polished Chrome

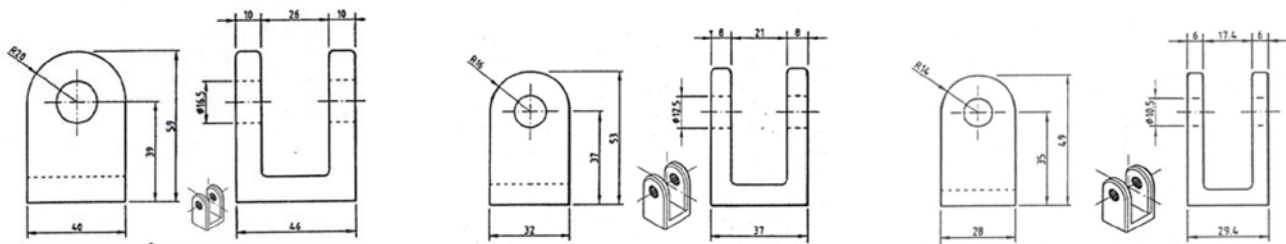


Izerwaren Part Number	<p>BUTTERFLY WING NUTS WITH 26 DEGREE ANGLE</p>					DIN Number	
M.701.12	THREAD SIZE A	d = OD	B = OD	L =	H =	AVAILABLE	DIN 80701 1.4401 stainless steel 316 STAINLESS STEEL
M.701.16	M 12	10	24	240	75	X	
M.701.20	M 16	13	30	240	75	X	
M.701.24	M 20	15	36	240	75	X	

Finish: untreated castings

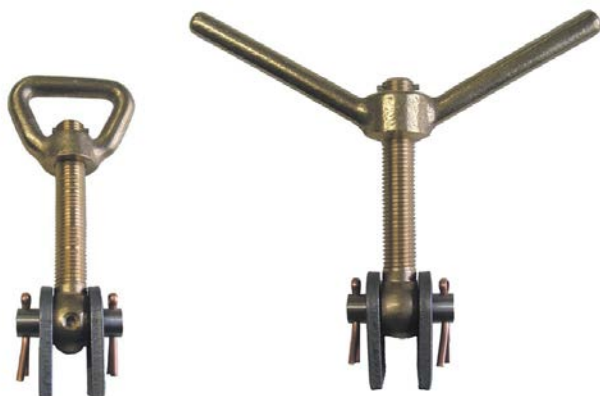
Izerwaren Part Number	<p>FORMED PRESS PLATE FOR WING NUT</p>				DIN Number
M.407.12	FOR HOLE:	LENGTH	WIDTH	THICKNESS	DIN 83407 1.4408 stainless steel 316 STAINLESS STEEL
M.407.16	M 12	100	40	10	
M.407.20	M 16	125	50	12	
M.407.24	M 20	150	60	15	

Finish: untreated

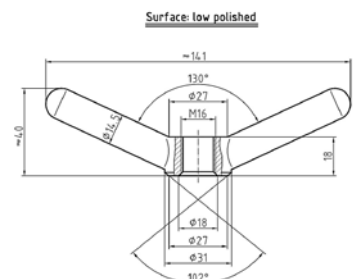


For more parts to make a set: See page 14

Izerwaren Part Number	HINGE PLATE U SHAPE FOR WELDING					DIN Number GRADE
M.571.20	FOR WING NUT SIZE	HIGH X WIDE	OPENING WIDTH	Hole for bolt	AVAILABLE	1.4571 stainless steel 316 - Ti Stainless steel
M.571.16	M20	59 x 46	26	16.5 Ø	X	
M.571.12	M16	53 x 37	21	12.5 Ø		

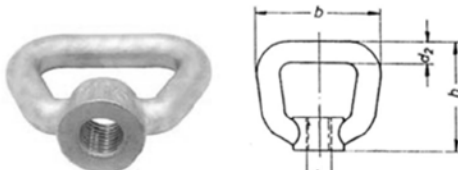


Please see page 4-3-7 for eye bolts

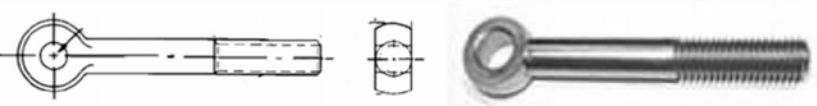


M.802.XX Short wingnut; In size: M12, M16, M20, M24
316 stainless steel



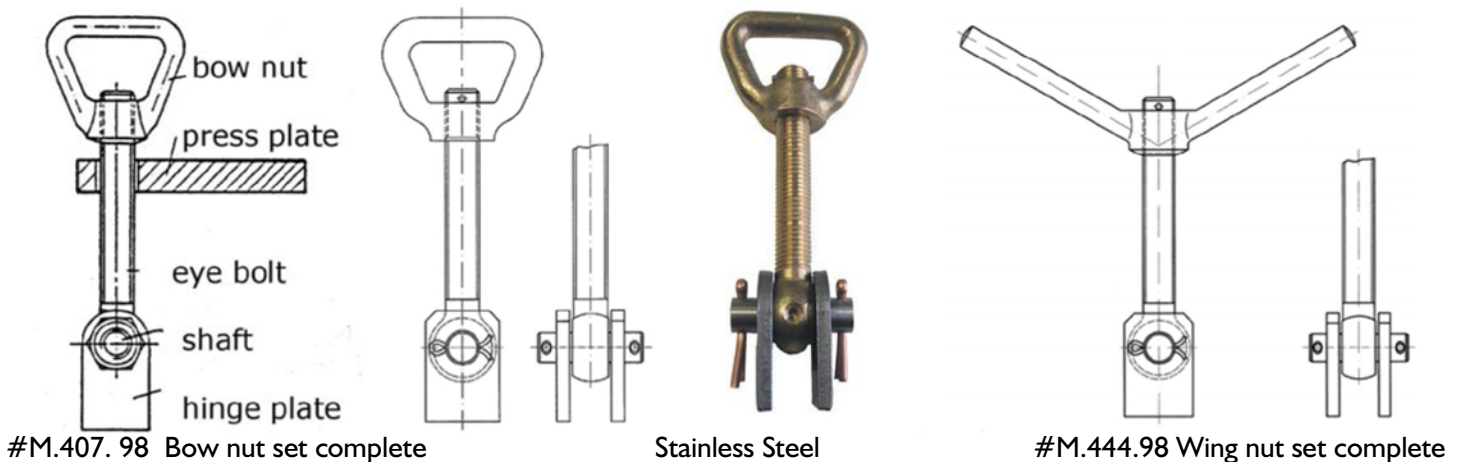
Izerwaren Part Number					DIN Number
	BOW NUTS LIFTING NUTS				
	FOR THREAD SIZE d 1	d 2 = OD	B = OD	H =	AVAILABLE
M.704.08	M 8	7	40	40	X
M.704.10	M 10	9	50	45	X
M.704.12	M 12	10	58	52	X
M.704.16	M 16	12	68	59	X
M.704.20	M 20	13	77	66	X
					DIN 80704 316-Stainless steel

Finish: untreated castings

Izerwaren Part Number						DIN Number
	EYE BOLTS					
	LENGTH	M6	M8	M10	M12	M16
M.444.30	30	X	X			
M.444.35	35	X	X			
M.444.40	40	X	X	X		
M.444.45	45	X	X	X		
M.444.50	50	X	X	X	X	
M.444.60	60	X	X	X	X	X
M.444.70	70		X	X	X	X
M.444.80	80		X	X	X	X
M.444.90	90		X	X	X	X
M.444.10	100		X	X	X	X
M.444.12	120			X	X	X
M.444.14	140				X	X
M.444.15	150				X	X
M.444.16	160				X	X
						DIN 444 00444 000 07 06030

Finish: Machine finish

Thread: partially threaded



#M.407.98 Bow nut set complete

Stainless Steel

#M.444.98 Wing nut set complete

See also page 4-3-6 for press plates and hinge plates separate



Izerwaren order numbers

Stainless steel hatch fasteners and Toggle devices
• seawater resistant

44.221 **Toggle device (221)** Left hand (depicted in picture)

44.222 **Toggle device (222)** Right hand Medium duty
Lever: 110 mm - 4 5/16" distance brackets: 75 mm - 3" Polished 304 stainless steel

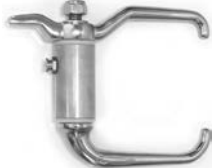
ORDER SEPARATELY:

44.6219 **Strike plate**
80 x 30 mm 316 stainless steel

43.142 **Strike plate with lip**
100 x 28 mm 316 stainless steel

43.943 **Strike wedge** 3 3/8" x 3/4" x 3/4"
85 x 20 x 20 mm 304 stainless steel.

44.9411 **Toggle device**
Extra heavy duty 316 stainless steel door toggle, both sided aluminum bush with nylon bearing with 1/8" hole for grease nipple lever 6 1/2"; total 9 1/2" long, bush OD: 45 mm 1 25/32" Ø with aluminum bush 73 mm long



44.940 #44.9411 see page 4-4-A



44.9402 #44.9412 see page 4-4-B



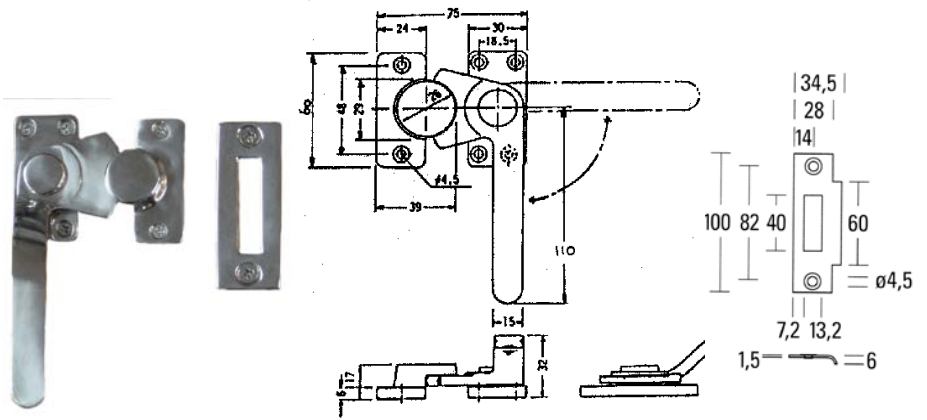
44.9403 #44.9413 see page 4-4-C



44.9404 #44.9404 see page 4-4-D

44.130 **Toggle device, single sided**
Medium duty 304 stainless steel door toggle, See page 4-4-0-H

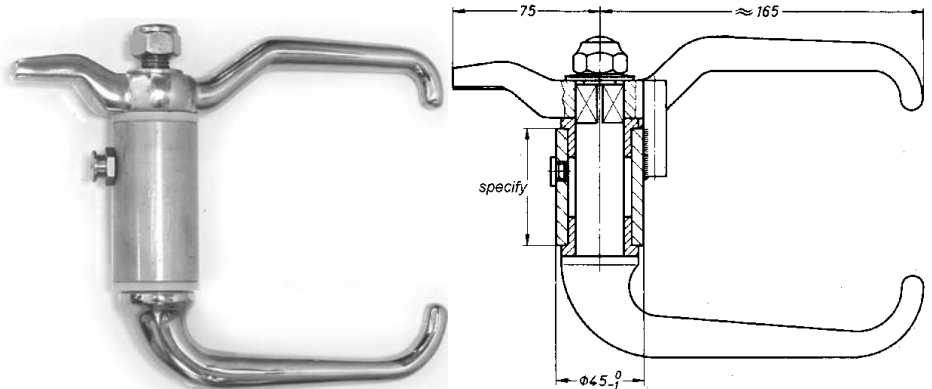
44.131 **Toggle device, double sided**
Medium duty 304 stainless steel door toggle, See page 4-4-0-H



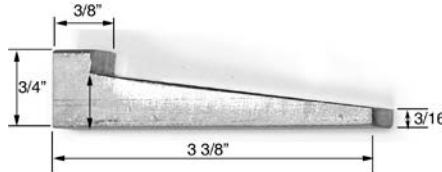
Left Hand

Right Hand

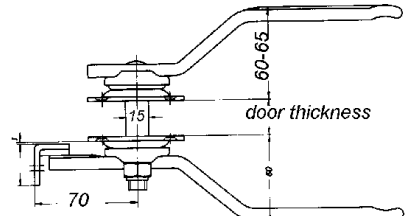
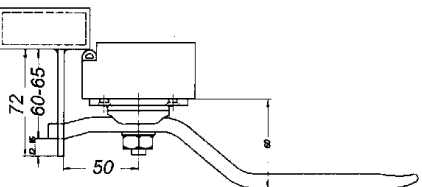
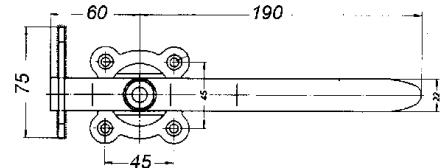
#44.221 304 stainless steel dogging device for hatches & doors. Strike 43.142 w. lip
#44.6219 size: 80 x 30 x 3 mm no lip (picture) Flat strikes allow for angle mounting
#43.142 Strike with lip 28 x 100 x 1.5 mm



#44.9411 Extra heavy duty 316 stainless steel door toggle device with aluminum bushing 73 mm



#44.943 Strike wedge



#44.131 Door toggle; double sided, for door thickness: 50 mm or 2 inch in stock. Medium duty.



izerwaren
order
numbers

Stainless steel Toggle Device

- 316 stainless steel
- Seawater resistant
- also available in mild steel

Toggle device, both sided

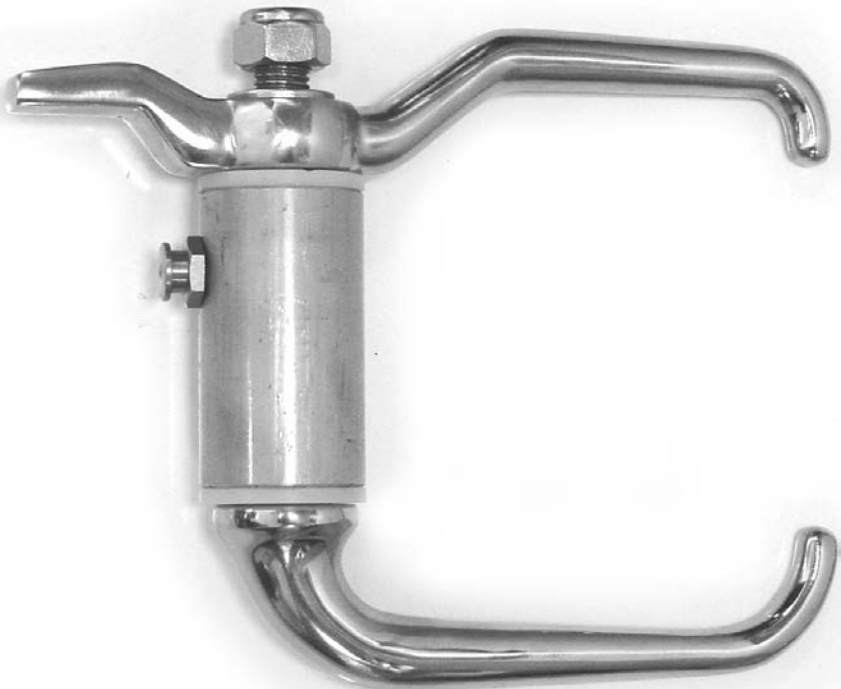
Extra heavy duty
316 stainless steel door toggle,
Includes:

- Toggle Lever;
- Back lever with shaft;
- aluminum bushing with
nylon bearing and M10 grease
- M10 grease nipple
- stainless steel washer
- M16 locknut

Toggle lever from center: 6 1/2";
Overall: 9 7/16" long,
bushing OD: 45 mm or 1 3/4" Ø
length aluminum bushing 73 mm

44.9411 **SET as above without stop**
44.9401 **SET as above with stop**

44.943 **Strike /wedge**
85 x 20 x 20 mm
304 Stainless steel
Weld on



#44.9411 Extra heavy duty 316 stainless steel door toggle **WITHOUT STOP** with aluminum bushing. Bushing standard length: 2 7/8" inch long; 1 3/4 inch diameter
Toggle lever: 9 7/16" long



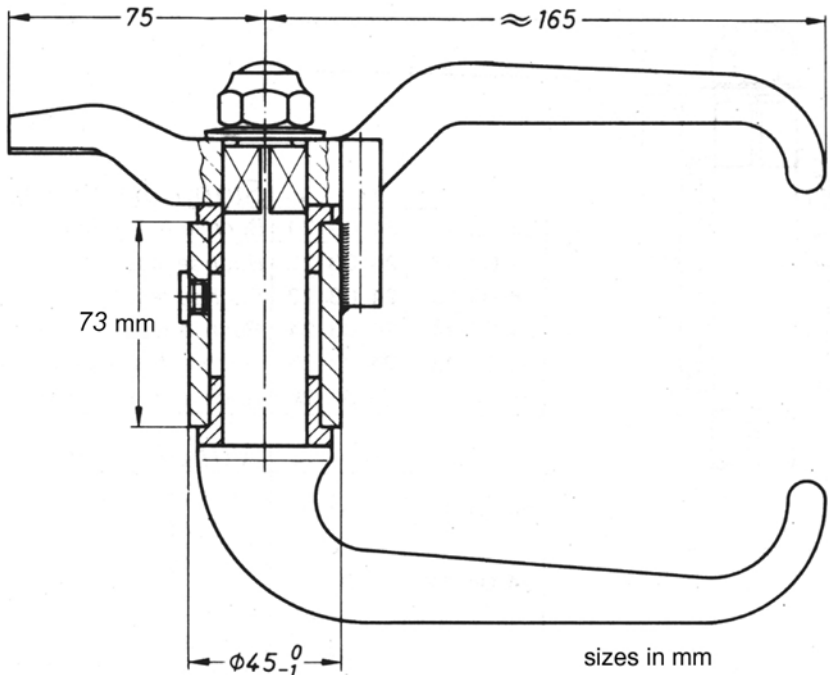
#44.9412 see page 4-4-B



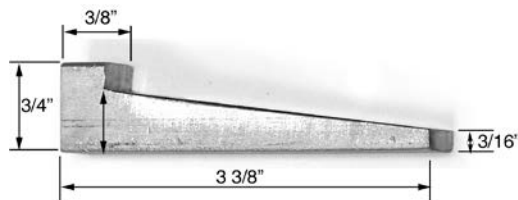
#44.9413 see page 4-4-C



#44.9404 see page 4-4-D



#44.9401 Extra heavy duty 316 stainless steel door toggle with aluminum bushing 73 mm. Bushing standard length: 2 7/8" inch long; 1 3/4 inch diameter. Drawing showing With Stop. Toggle lever: 9 7/16" long



#44.943 Wedge / strike 3 3/8 inch X 3/4 inch X 3/4 inch wide; 304 stainless steel.



Izerwaren
order
numbers

Stainless steel Toggle Device

- 316 stainless steel
- also available in mild steel
- Seawater resistant

Toggle device, single side

Extra heavy duty
316 stainless steel door toggle
Includes:

- Toggle Lever;
- Shaft with M16 thread and square end 3/4 inch;
- aluminum bushing with nylon bearing
- M10 grease nipple
- stainless steel washer
- M16 locknut

Toggle lever from center: 6 1/2";
Overall: 9 7/16" long.

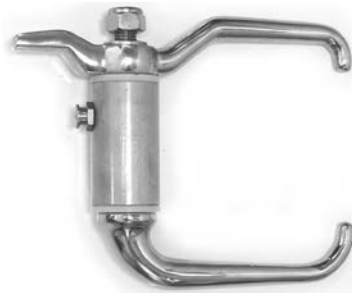
Bushing OD: 45 mm or 1 3/4" Ø
length aluminum bush 73 mm or 2 7/8"

- 44.9412 SET without stop
- 44.9402 SET with stop

44.943 **Strike /wedge**
85 x 20 x 20 mm
Weld on type.
304 Stainless steel



#44.9412 Extra heavy duty 316 stainless steel door toggle one sided **NO STOP** with square nut on reverse side. Nut: 3/4" square. With aluminum bushing.
Bushing standard length: 2 7/8 inch long; 1 3/4 inch diameter
Toggle lever: 9 7/16" long



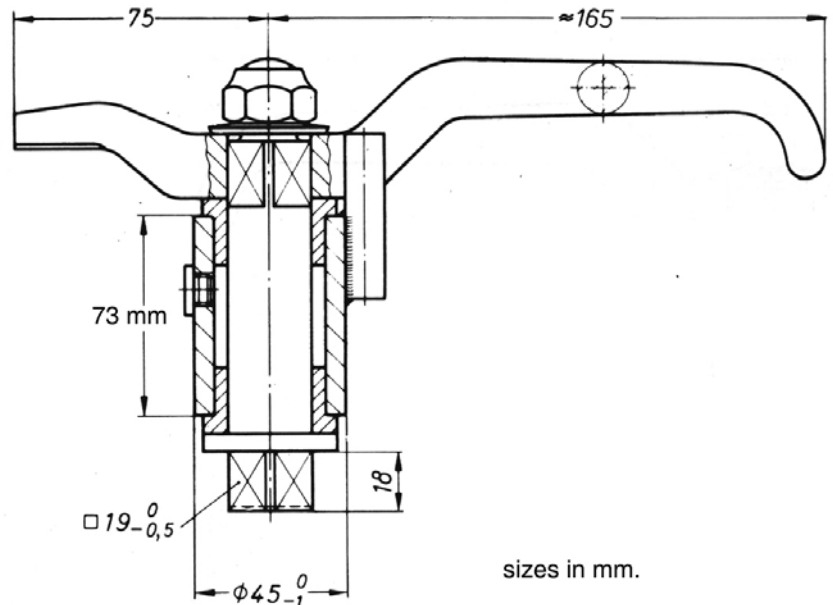
#44.9411 see page 4-4-A



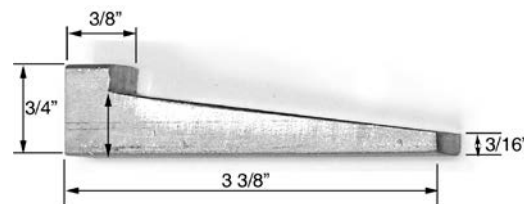
#44.9413 see page 4-4-C



#44.9404 see page 4-4-D



#44.9402 Extra heavy duty 316 stainless steel door toggle one sided. Square nut on reverse side. Drawing showing with end stop.
Nut: 3/4" square. With aluminum bushing.
Bushing standard length: 2 7/8 inch long; 1 3/4 inch diameter
Toggle lever: 9 7/16" long



#44.943 Wedge / strike 3 3/8 inch X 3/4 inch X 3/4 inch wide. 304 stainless steel



Izerwaren
order
numbers

Stainless steel Toggle Device

- 316 stainless steel
- also available in mild steel
- Seawater resistant

Toggle device

Extra heavy duty
316 stainless steel door toggle,
both sided; includes:

- Toggle Lever;
- Shaft with M16 thread;
- aluminum bushing with
- nylon bearings
- M10 grease nipple
- Stainless steel washer
- M16 locknut

Toggle lever from center: 6 1/2";
Overall: 9 7/16" long,

bushing OD: 45 mm or 1 25/32" Ø
with aluminum bush 73 mm

- 44.9413 SET as above without stop
- 44.9403 SET as above with stop

44.943 **Strike /wedge**
85 x 20 x 20 mm
Weld on.
304 Stainless steel



#44.9413 Extra heavy duty 316 stainless steel door toggle one sided **WITHOUT STOP**.
With aluminum bushing.
Bushing standard length: 2 7/8 inch long; 1 3/4 inch diameter
Toggle lever: 9 7/16" long



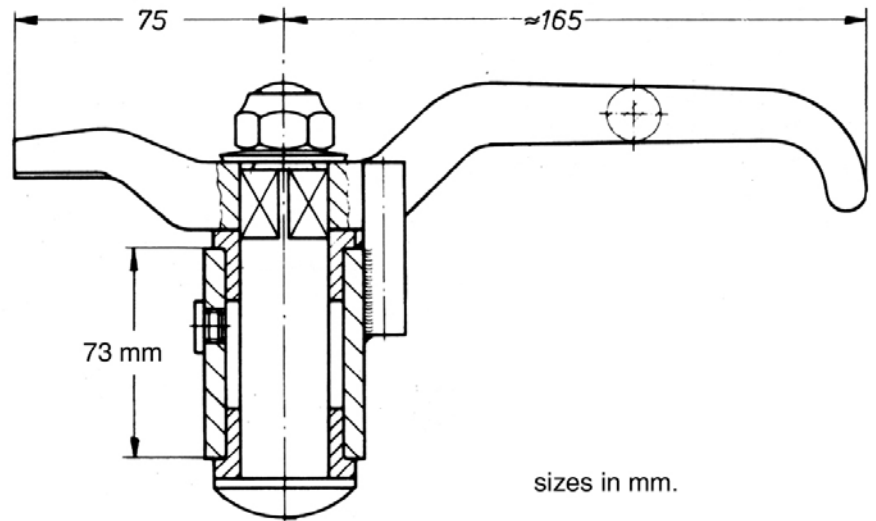
#44.9411 see page 4-4-A



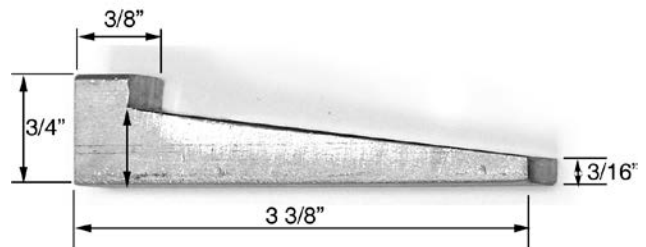
#44.9412 see page 4-4-B



#44.9404 see page 4-4-D



#44.9403 Extra heavy duty 316 stainless steel door toggle one sided **WITH STOP**.
With aluminum bushing.
Bushing standard length: 2 7/8 inch long; 1 3/4 inch diameter
Toggle lever: 9 7/16" long



#44. 943 Wedge / strike 3 3/8 inch X 3/4 inch X 3/4 inch wide
304 stainless steel



Izerwaren
order
numbers

Stainless steel Toggle Device

- 316 stainless steel
- also available in mild steel
- Seawater resistant

Toggle device

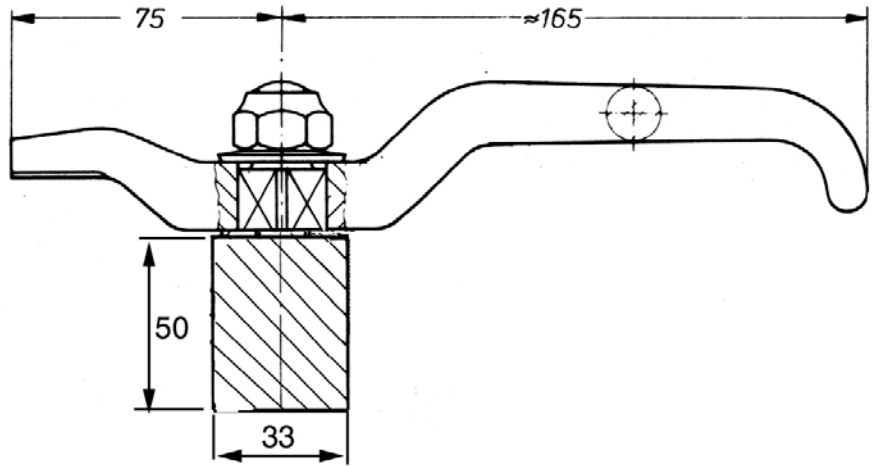
Extra heavy duty
316 stainless steel door toggle
Includes:

- Toggle Lever
- Bushing weld on
- M16 threaded end
- stainless steel washer
- M16 locknut

Toggle lever from center: 6 1/2";
Overall: 9 7/16" long,
Plug OD: 33 mm x 50 mm

- 44.9404 SET as above aluminum plug
- 44.9415 SET as above stainless steel plug

- 44.943 **Strike /wedge**
85 x 20 x 20 mm
Weld on.
304 Stainless steel

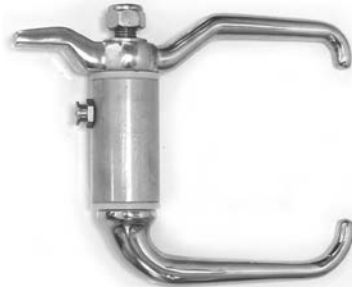


sizes in mm.

- #44.9404 Extra heavy duty 316 stainless steel door toggle one sided.
Aluminum weld on bushing: 2 inch long; 1 1/2 inch diameter
Toggle lever: 9 7/16" long



- #44.9404 Extra heavy duty 316 stainless steel door toggle one sided.
Aluminum weld on bushing: 2 inch long; 1 1/2 inch diameter
Toggle lever: 9 7/16" long



#44.9411 see page 4-4-A



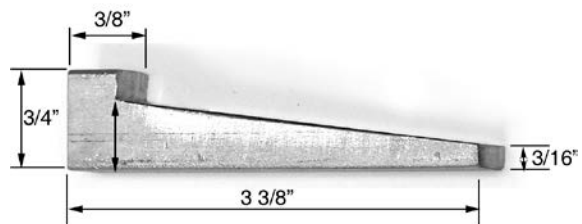
#44.9412 see page 4-4-B



#44.9413 see page 4-4-C



- #44.9415 ALL STAINLESS STEEL Extra heavy duty 316 stainless steel door toggle one sided.
STAINLESS STEEL weld on bushing: 2 inch long; 1 1/2 inch diameter
Toggle lever: 9 7/16" long



- #44.943 Wedge / strike 3 3/8 inch X 3/4 inch X 3/4 inch wide. 304 stainless steel



Izerwaren
order
numbers

Stainless steel Toggle Device
Spare parts

- 44.9443 Bushing OD: 73 x45 mm
aluminum
Fits in set #44.9402
- 44.9444 Bushing OD: 50 x33 mm
aluminum
Fits in set #44.9404
- 44.9445 Bushing OD: 50 x33 mm
stainless steel
Fits in set #44.9405
- 44.9446 Toggle lever 9 7/16" long
316 stainless steel
- 44.943 Strike /wedge
85 x 20 x 20 mm
Weld on type; 304 Stainless steel
- 44.944 Grease nipple M10 stainless steel
- 44.945 M16 lock nut stainless steel
- 44.946 M16 washer stainless steel
- 44.947 Nylon sleeves for alu. bushings
- 44.9448 Back lever with shaft, M16 thread



#44.9443
Aluminum bushing with nylon sleeves
73 X 45 mm
3 1/4 x 1 3/4 inch



#44.9444
Aluminum Plug
50 X 33 mm
2 x 1 1/2 inch



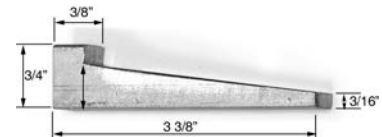
#44.9445
Stainless steel plug
50 X 33 mm
2 x 1 1/2 inch



#44.9411 see page 4-4-A



#44.944 Grease nipple M10
304 stainless steel



#44.943 Wedge / strike 304 stainless steel
3 3/8 inch X 3/4 inch X 3/4 inch wide



#44.9446 Toggle lever; 9 7/16" long 316 stainless steel



#44.9412 see page 4-4-B



#44.9413 see page 4-4-C



#44.9415 see page 4-4-D



#44.9448 Back lever with shaft and M16 thread
Lever 6 1/2" long. 316 stainless steel



Izerwaren
Order #

Stainless steel hatch fasteners
and Toggle devices. Medium duty:
• seawater resistant



44.129 **Toggle device** Left hand
single side
satin 304 stainless steel

44.130 **Toggle device** Right hand (depicted)
single side
satin polished 304 stainless steel

44.128L **Angle strike** LEFT



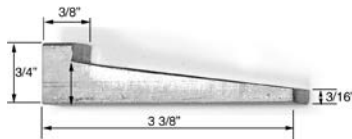
#44.128L left
304 stainless steel

44.128R **Angle strike** RIGHT



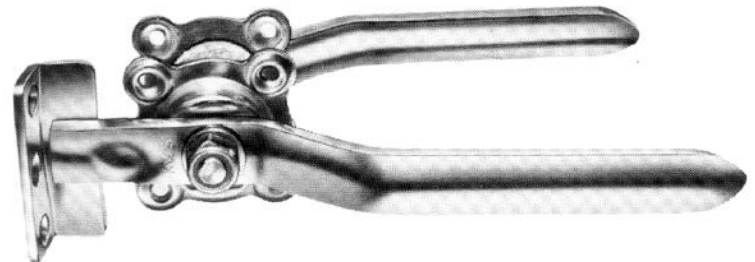
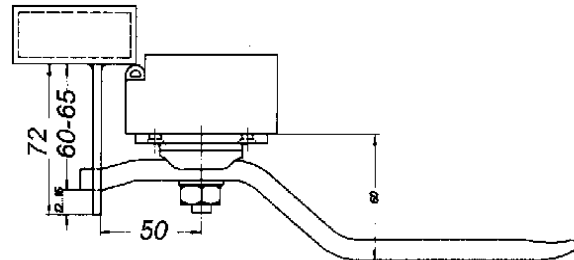
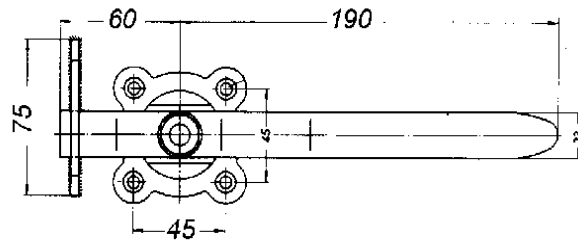
#44.128R right
304 stainless steel

44.943 **Weld on strike**



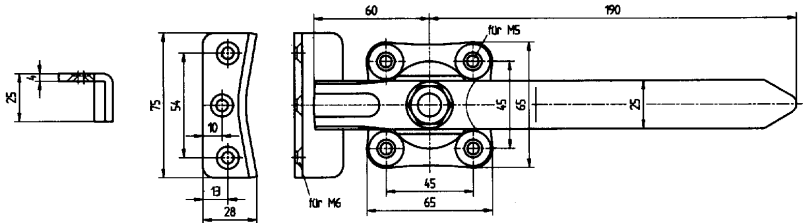
85 x 20 x 20 mm
3 3/8 inch x 3/4 inch x 3/4 inch wide
304 Stainless steel
Weld on

#44.130 Medium duty 304 stainless steel door toggle device (right hand)
Angle strike 44.128R

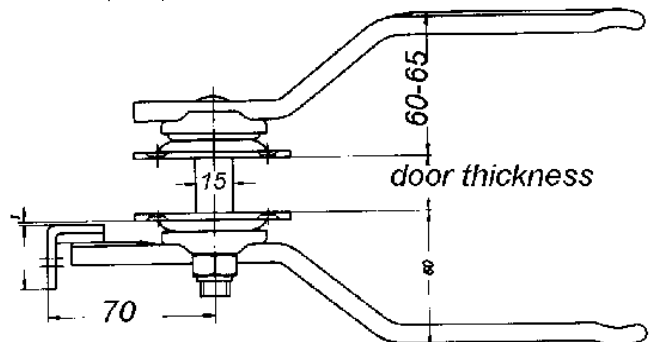
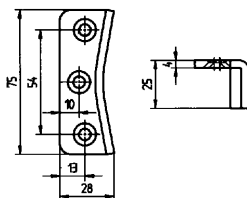


44.131 Medium duty 304 stainless steel door toggle device double sided strike 44.537

44.131 **Toggle device , double sided**
door thickness: 45-50 mm / 2 inch
Lever: 190 mm 7 1/2 inch
distance to locking plate: 70 mm 2 3/4 inch
satin polished 304 stainless steel
Felt washers included for roses
both handed



44.537 **Double strike**
For double sided door toggle #44.131





Izerwaren
Order
numbers

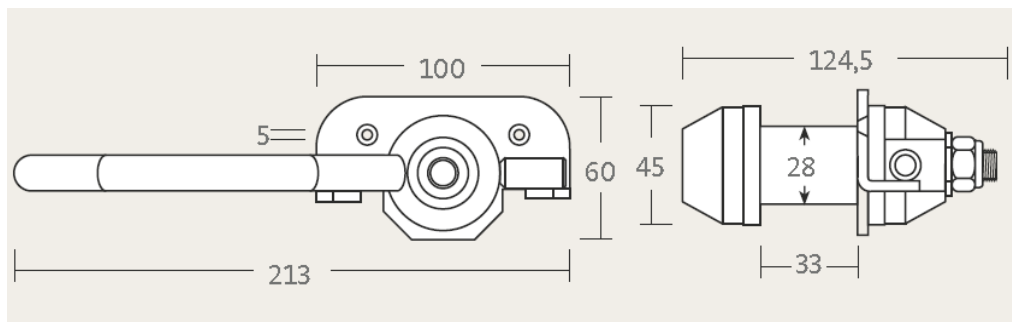
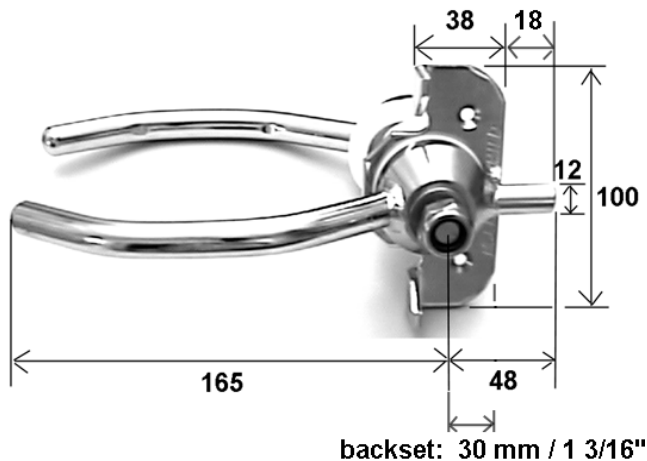
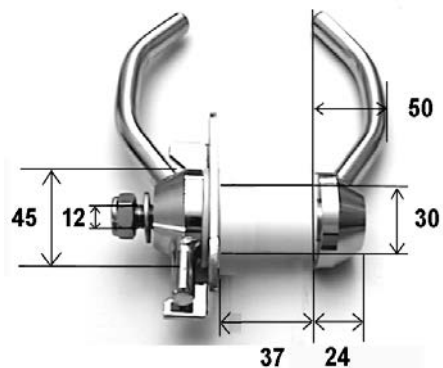
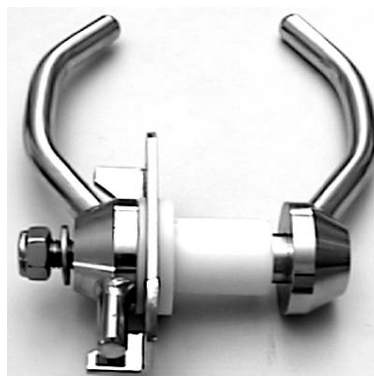
Stainless steel Toggle device
• sea water resistant

44.108 **Door / Hatch Toggle** (1108)
 Heavy duty
316 stainless steel, electro polished
 Handle for both sides of door
 Backset 30 mm
 Delron bush 30 mm ~ 1 3/64" diameter
 Toggle stop plate 180 degree 38 x 100 mm
 Length of handle: 165 mm ~ 6 1/2"
 Distance from surface door: 50 mm ~ 2"
 Door thickness: ~ 37 mm / 1 1/2"
 Specify door thickness if different from 1 1/2"



Heavy duty 316 stainless steel door toggle device

44.208 **Delron filler washers**
 3 mm ~ 1/8" (1208)
 44.308 6 mm ~ 1/4" (1308)



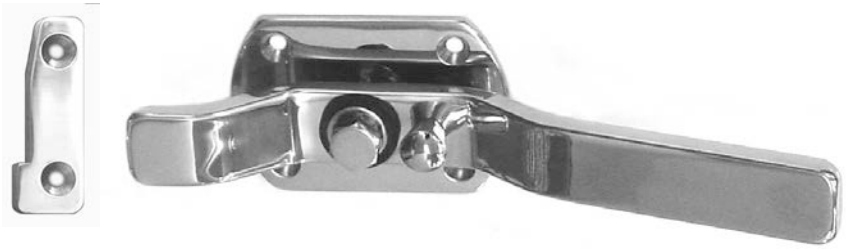


Izerwaren
part
number

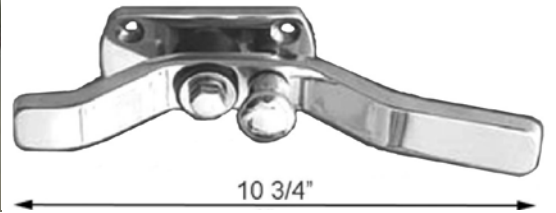
Toggle Devices
Bulwark door latches

- 44.831 Toggle device**
Stainless steel
10 3/4" x 3"
Locking with spring loaded pin. Both Handed
- 44.832 8" x 1 3/4"**
Locking with spring loaded pin. Both Handed
- 44.833 6" x 1 3/4"**
Locking with spring loaded pin. Both Handed

Stainless steel strike plate
order separately
Both handed



#44.831 Stainless steel toggle device 10 3/4" x 3". Locking with spring loaded pin.
#44.832 Stainless steel toggle device 8" x 1 3/4". Locking with spring loaded pin.
#44.833 Stainless steel toggle device 6" x 1 3/4". Locking with spring loaded pin.
#44.013 Stainless steel strike Order separately (see picture "right angle" below



#44.831 Full size door toggle; 10 3/4 inch long



Illustration:

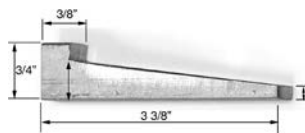
- 44.013L "Left"**
- 44.013R "Right"**
- Strike wedge
316 stainless steel



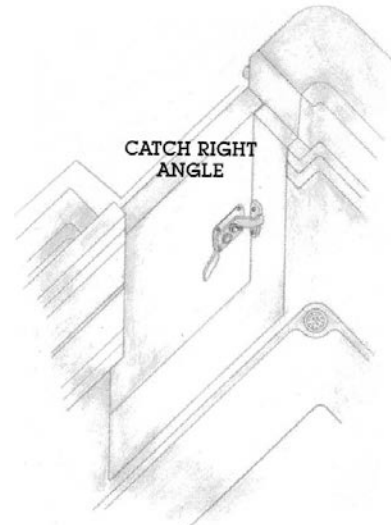
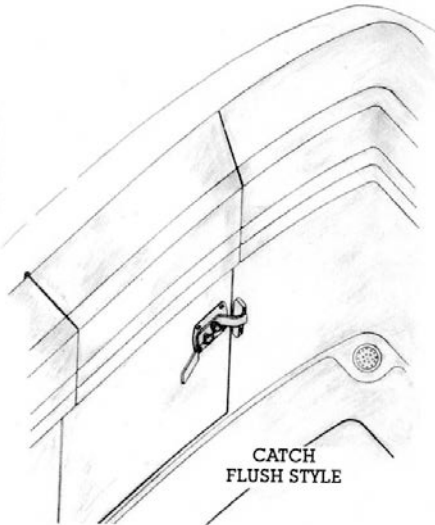
- 44.128L #44.128L left**
- Angle strike
304 stainless steel



- 44.128R #44.128R right**
- Angle strike
304 stainless steel

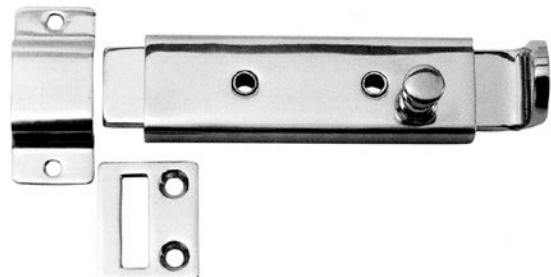


- 44.943 #44.943 Wedge strike**
3 3/8 inch x 3/4 inch x 3/4 inch wide
304 stainless steel
For weld on application

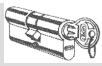


- 44.0604 Transom bolt**
Body: 4" x 1/4" x 1/2";
Throw: 7/8"

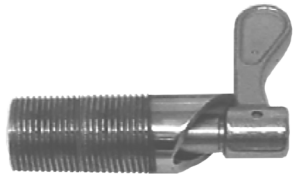
- 44.0605 Strike flush**
- 44.0606 Strike bend**



#44.0604 Transom bolt / barrel bolt; Body: 4" x 1/4" x 1/2"; Throw: 7/8"
Strike flush #44.0605; Strike bend # 44.0606

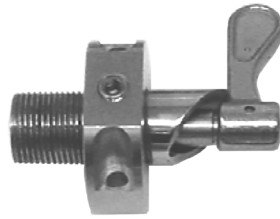


Izerwaren
Order
numbers

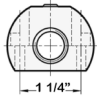
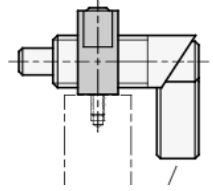


47.281

#47.281 Plunger threaded M20 x 1.5;



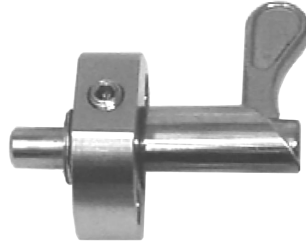
#47.281 Plunger with #47.293 Bracket for top mounting threaded M20 x 1.5; Set screw threaded M8



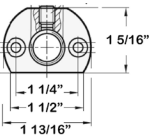
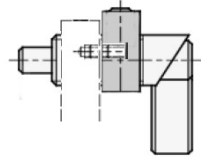
Set screw M8

47.293 Bracket for top mounting 15 mm thick x 46 mm wide x 33 mm

47.293

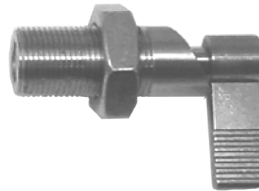


#47.281 Plunger with #47.294 Bracket for side mounting. threaded M20 x 1.5; Set screw threaded M8

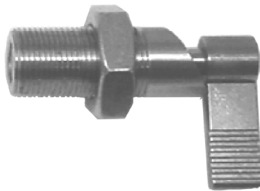
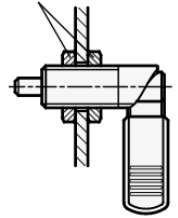
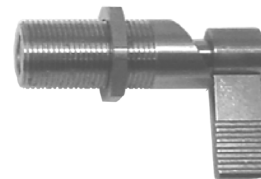
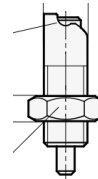


47.294 Bracket for side mounting. 15 mm thick x 46 mm wide x 33 mm Set Screw M8

47.294

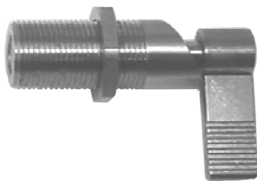


#47.281 Indexing Plunger with 10 mm thick nut #47.291
#47.281 Indexing Plunger with 5 mm thin nut #47.292 threaded M20 x 1.5;



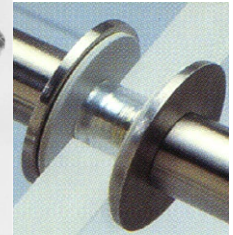
Nut M20; 10 mm thick #47.291

47.291

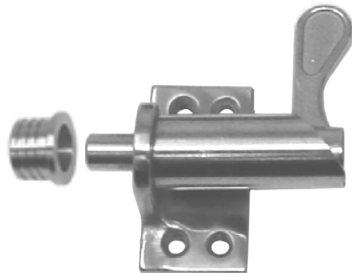


Nut M20; 5 mm thick #47.292

47.292



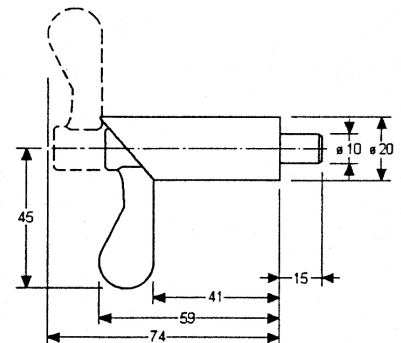
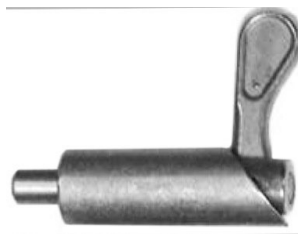
#47.281 Spring Loaded Indexing Plunger threaded M20' x 1.5 Shown with 50 mm diameter threaded thrust roses #15.050 through 10 mm Acrylic. Stainless steel; throw: 5/8"; body diameter: 3/4" Body length: 3"; threaded M20 x 1.5



Plunger threaded to bracket #64.741 Receiver #23.2424



Bracket #64.741
Stainless steel

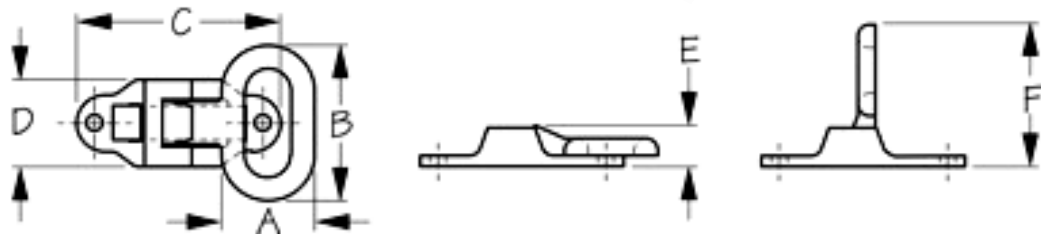


#47.280 Indexing plunger; stainless steel for weld on apps. Dimensions in mm. Throw: 5/8"; Diameter: 3/4"; Body length: 2 3/8" Spring loaded; Body: 59 mm long; 20 mm diameter; Pin: 10 mm diameter.



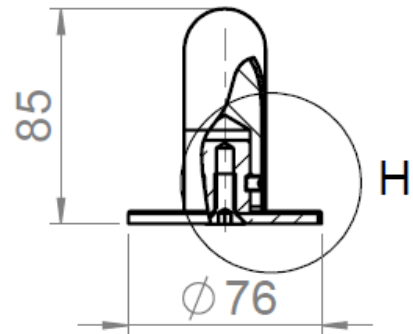
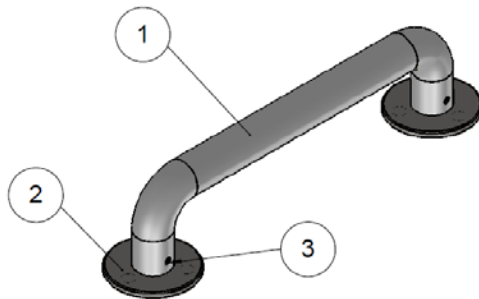
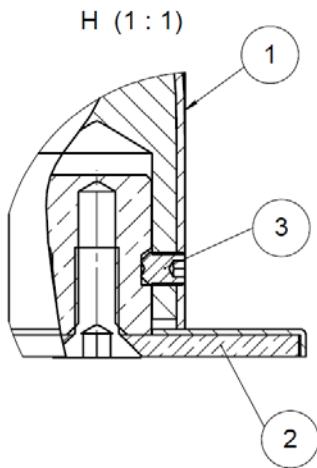
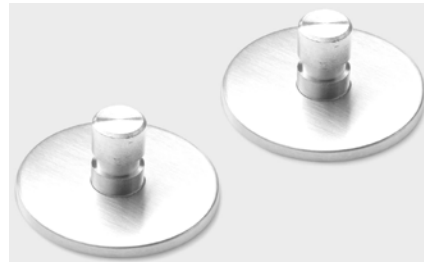
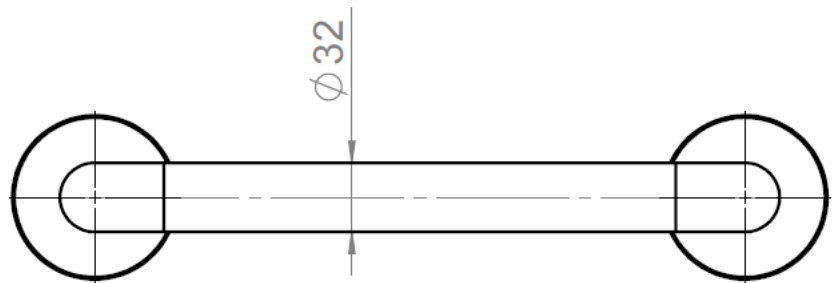
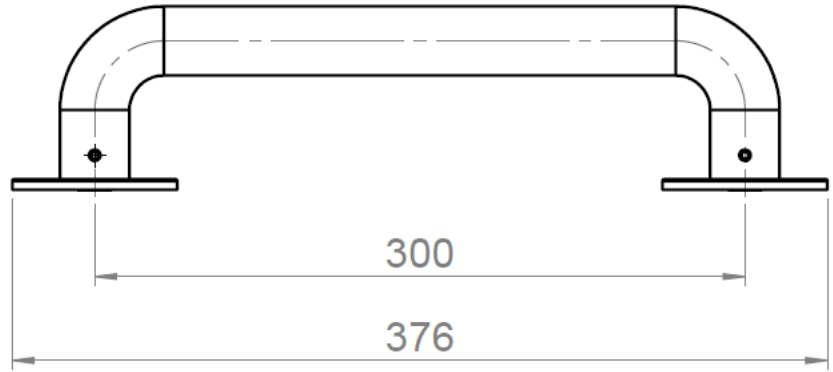
Izerwaren
Order
numbers

#48.2211

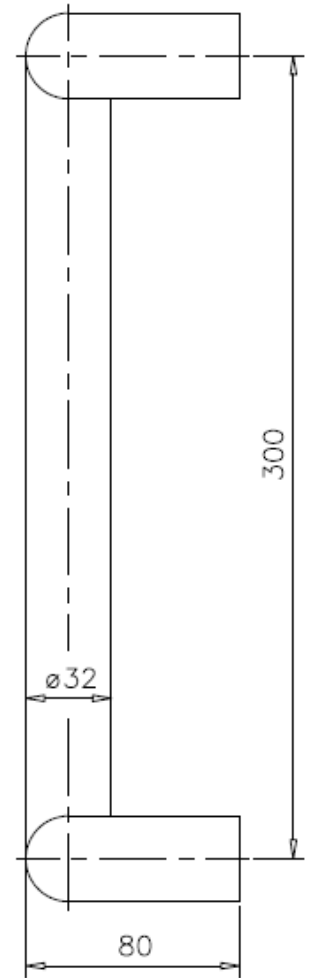
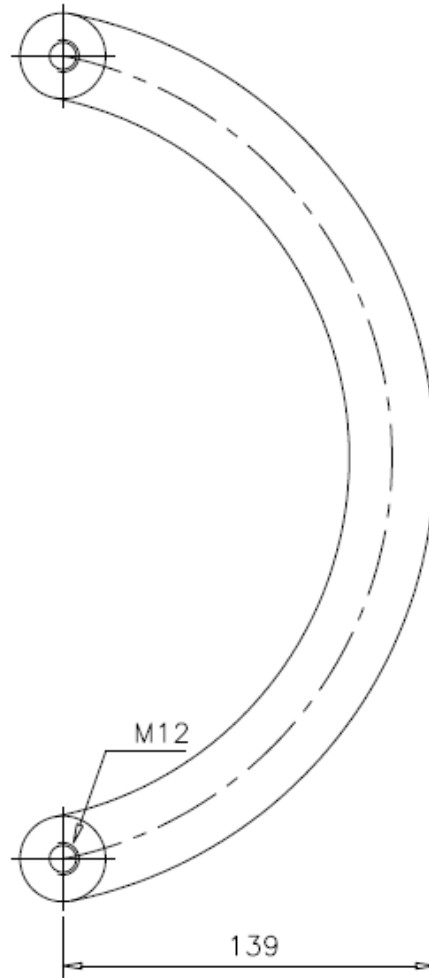


#48.2211 Folding Step. 3 3/8" x 4 3/8".
Spring loaded. 316 stainless steel.

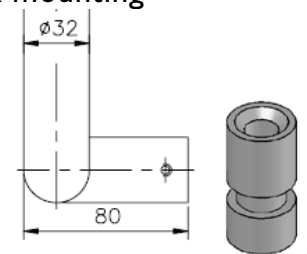
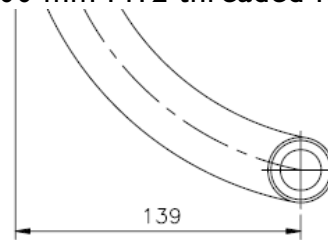
- Dimensions:
- A= 2 inch / 50 mm
 - B= 3 3/8 inch / 85 mm
 - C= 4 3/8 inch / 111 mm
 - D= 1 7/8 inch / 48 mm
 - E= 7/8 inch / 22 mm
 - F= 3 7/16 inch / 87 mm



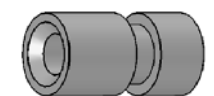
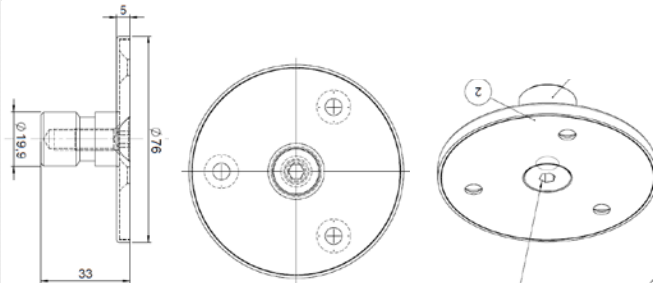
#15.323 Grab Bar / Deck Step Hand Pull. 32 mm / 1 1/4 inch diameter
#15.963 Thrust roses 80 mm / 3 1/8 inch diameter



#16.303 Circular Pull # 32 mm diameter x 300 mm M12 threaded for back mounting



#16.3032 Circular Pull # 32 mm diameter x 300 mm with 20 mm diameter hole for bushing for front mounting



#15.963 Thrust rose 76 mm, 5 mm thick with st.st cover plate

#15.4950 Bushing 19.5 mm